

62^e Bulletin
(17^e Année — Mars 1976)
TRIMESTRIEL

BULLETIN

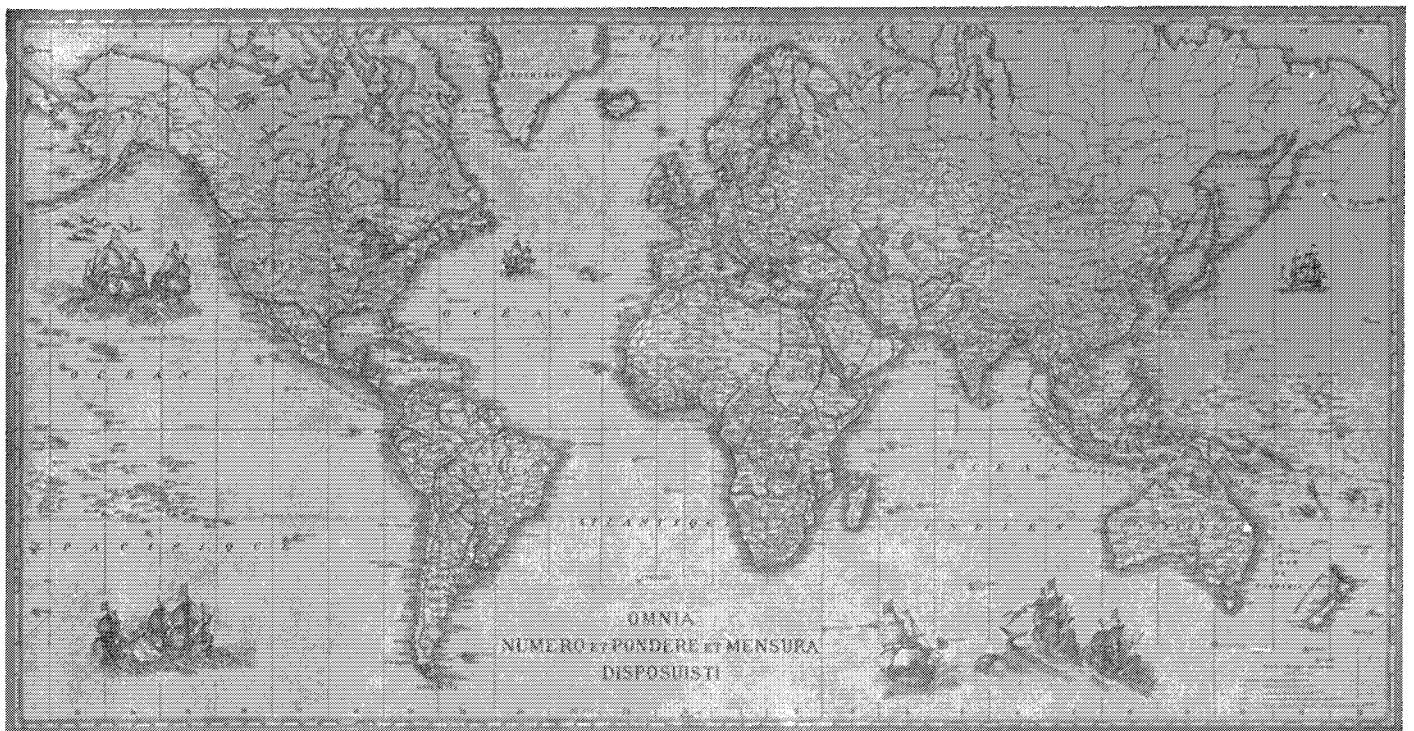
DE

L'ORGANISATION

INTERNATIONALE

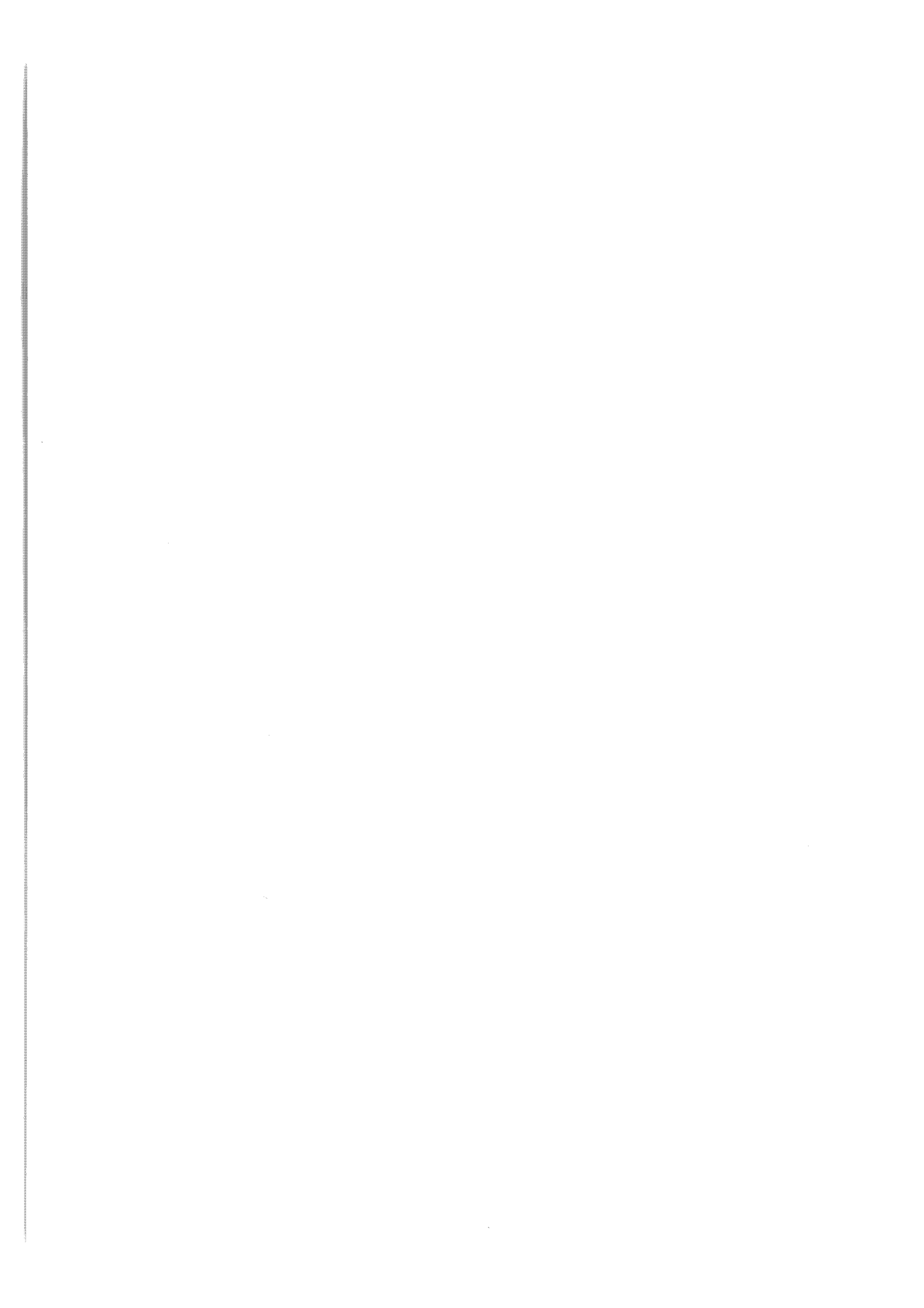
DE MÉTROLOGIE LÉGALE

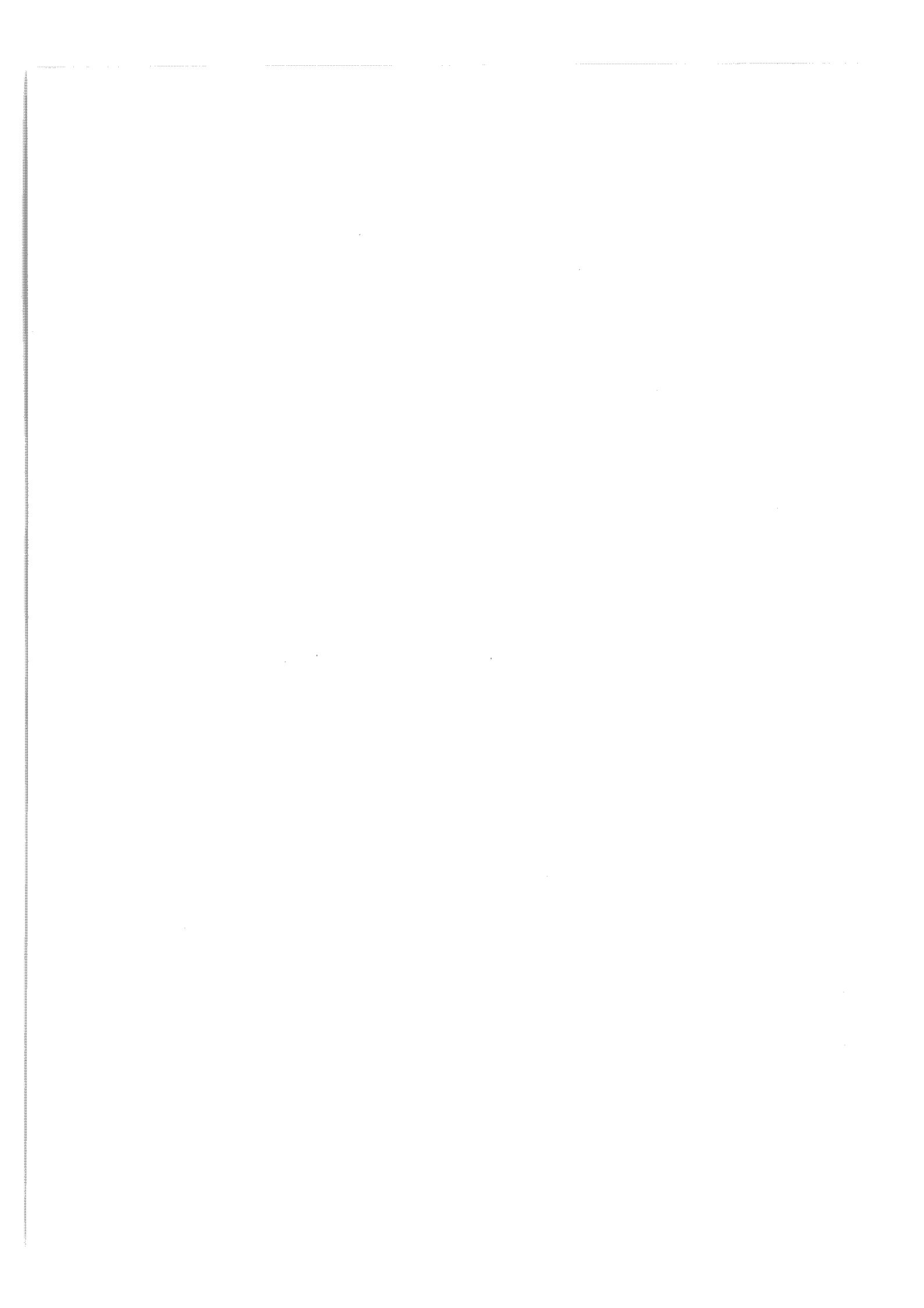
(Organe de liaison entre les Etats-membres de l'Institution)

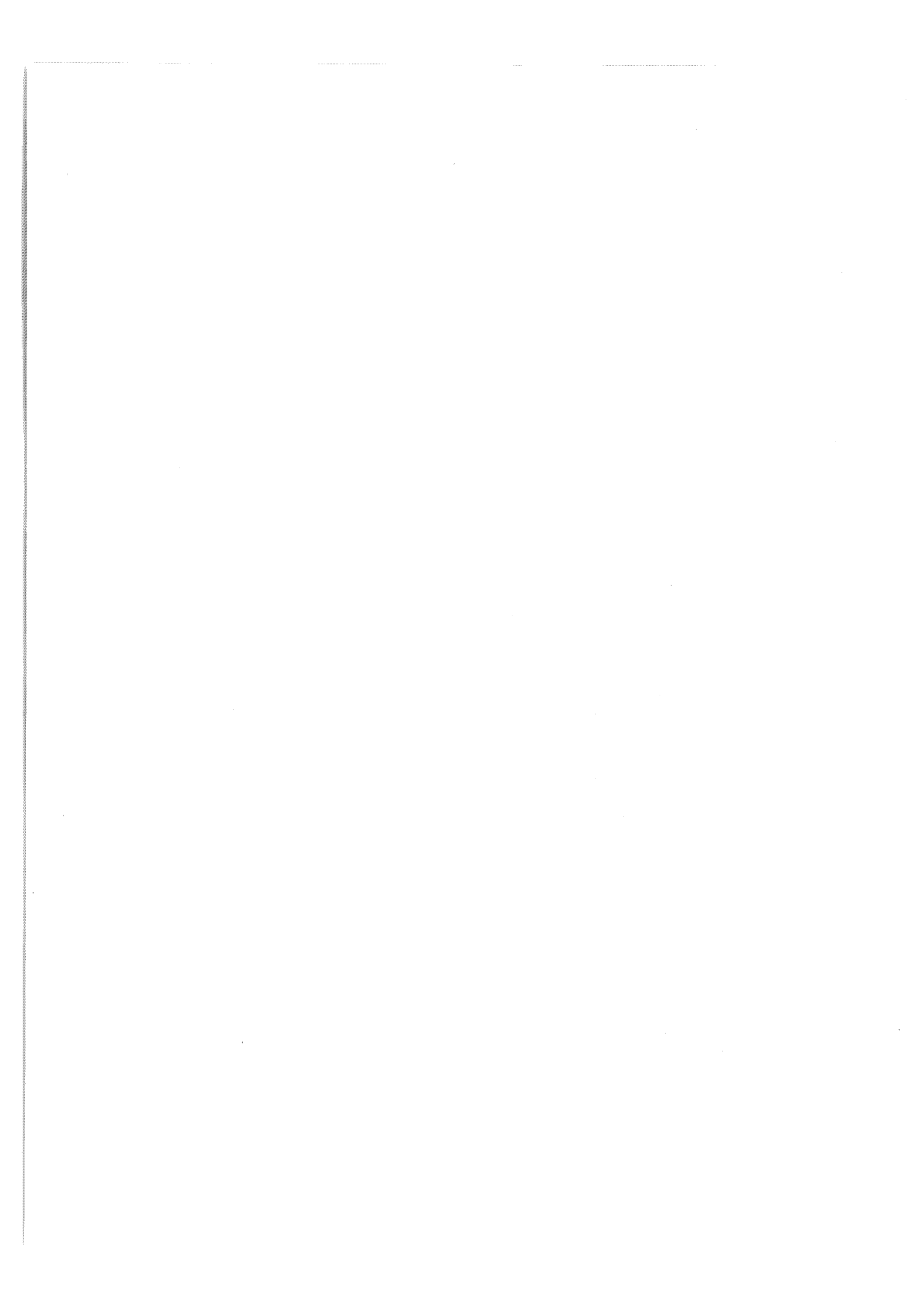


BUREAU INTERNATIONAL DE MÉTROLOGIE LÉGALE
11, Rue Turgot — 75009 PARIS — France

Bull. O.I.M.L. — N° 62 — pp. 1 à 56 — Paris, Mars 1976.





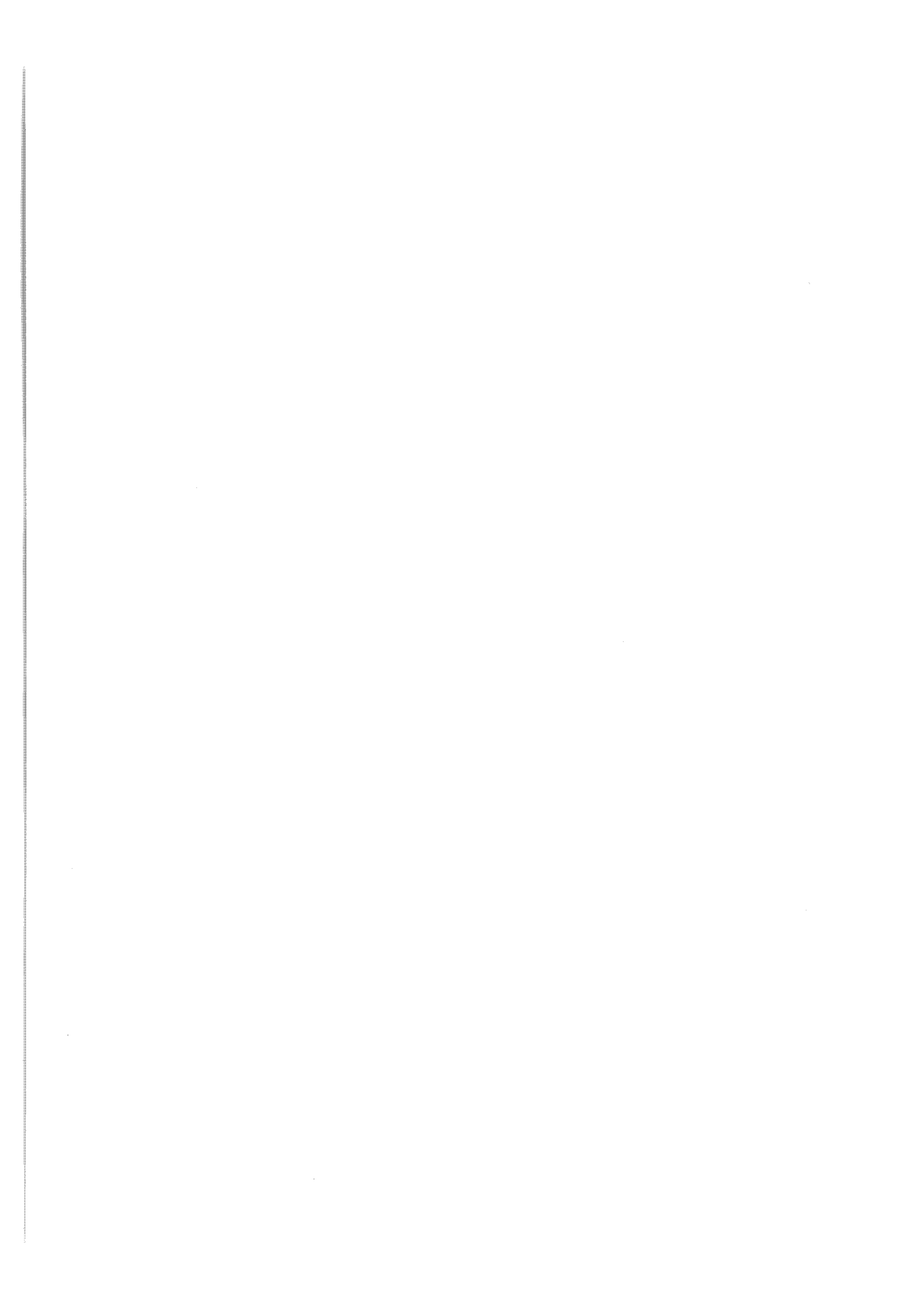


BULLETIN

DE

L'ORGANISATION INTERNATIONALE DE MÉTROLOGIE LÉGALE

Organe de liaison interne entre les États-membres de l'Institution dont l'importance et la régularité de parution peuvent varier selon les exigences des activités de l'Organisation (en principe édition trimestrielle).



BULLETIN

de

L'ORGANISATION INTERNATIONALE de MÉTROLOGIE LÉGALE

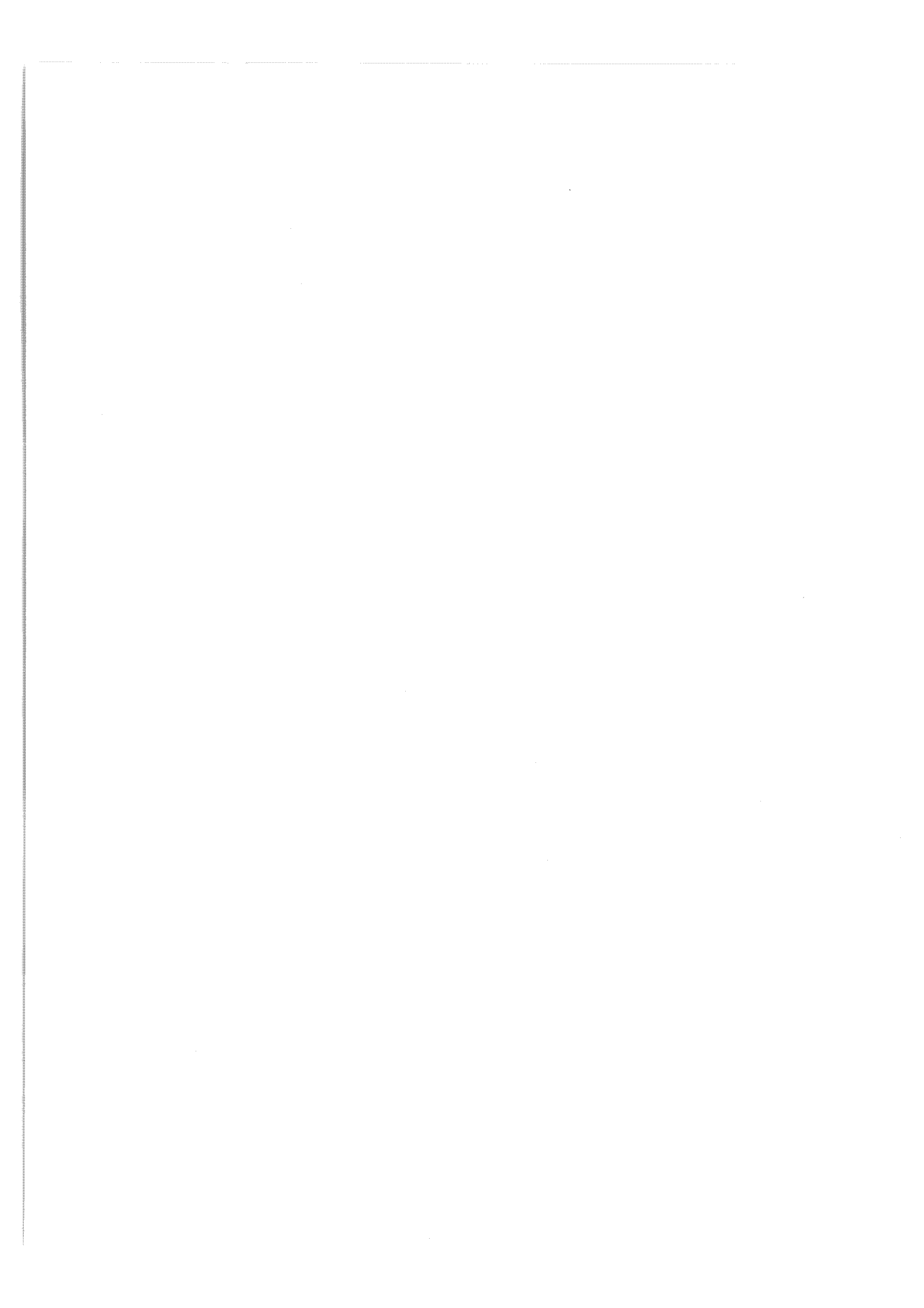
62° Bulletin trimestriel
17° Année — Mars 1976

Abonnement annuel : EUROPE : 44 F-français
Autres Pays : 50 F-français
Compte Chèques postaux : Paris-8 046-24
Compte Banque de France, Banque Centrale, Paris : n° 5 051-7

SOMMAIRE

	Pages
Verification of wheel and axle load scales par Dr F. PETIK and G. KOVACS, National Office of Measures Budapest	7
Suède — Survey concerning legal Metrology in Sweden.	15
Enseignement de la Métrologie — en République Démocratique Allemande.	21
Norvège — Centenary Celebration of the Norwegian Service of Legal Metrology.	30
Rapport abrégé de la Réunion du Secrétariat-Rapporteur OIML FI.7 : « Distributeurs et compteurs de liquides autres que l'eau » 2/5 décembre 1975 — Londres (Grande-Bretagne).	33
BIBLIOGRAPHIE	
U.S.A. — « Weighing and proportioning of bulk solids » by H. COLIJN	36
France — « Notions élémentaires sur les instruments de pesage » par J. TRAMUS.	37
INFORMATIONS	
Nécrologie : Mr le Prof. Dr. V.O. ARCOUTUNOV (U.R.S.S.) Mr le Prof. Dr. U. STILLE (Rép. Fédérale d'Allemagne)	38
Symposium International de Métrologie — 16/19 novembre 1976 — Bratislava (Rép. Socialiste Tchécoslovaque)	39
Centre de Documentation — Documents reçus au cours du 1 ^{er} trimestre 1976.	40
Prochaines réunions	44
DOCUMENTATION	
Recommandations internationales : liste complète à jour États-membres de l'Organisation Internationale de Métrologie Légale Membres actuels du Comité International de Métrologie Légale	

BUREAU INTERNATIONAL DE MÉTROLOGIE LÉGALE
11, Rue Turgot — 75009 Paris — France
Tél. 878-12-82 et 285-27-11 Le Directeur : Mr B. ATHANÉ



RÉPUBLIQUE POPULAIRE HONGROISE

A New Field of Activity of the State Metrological Service :

VERIFICATION of WHEEL and AXLE LOAD SCALES

by **Dr. F. PETIK and G. KOVACS**

National Office of Measures (OMH), Budapest

Roads are designed and built by taking determined maximum wheel and axle loads into consideration. If loads of vehicles using the roads exceed limit values, a rapid deterioration of the road is to be expected, progressing rapidly at a steadily increasing rate even if later only the permitted maximum load is applied. Highway authorities therefore have started to use stationary and portable scales to check wheel and axle loads of road vehicles. The consequence of measurements may be the infliction of a punishment or the imposing of a tax. Therefore the correct indication of the scales should be verified by the state metrological service.

LEGAL REGULATION IN HUNGARY

Two prescriptions regulate the traffic of overloaded vehicles in Hungary. The basic one is a Decree of the Council of Ministers, while the enacting clauses were issued in a departmental order of the Minister of Transport and Communication.

The Decree N° 16-1973-VI.27. of the Council of Ministers on « Restricting the traffic of overloaded road vehicles » is valid since Jan 1, 1974. The main regulations are the following :

« 1. §.1. On public roads only the traffic of vehicles is permitted the axle load of which does not exceed 10 metric tons or 16 metric tons, for double axles, if the distance separating the two axles is not more than 2 meters.

2. Vehicles having axle loads superior to those indicated under (1) may use public roads only in exceptionally justified cases, with the permission of road authorities ».

For the permission a charge is to be paid. If an overloaded vehicle is found without the permission of the road authority, an extra charge corresponding to nine times the basic charge is to be paid as well.

The Departmental Order N° 2-1974-II.2. KPM of the Minister of Transport and Communication enacting the above mentioned decree has been valid since Feb 2, 1974. The order lists charges to be paid for permission to use public roads with overloaded vehicles. The charge is a function of overload and of the distance to be covered. The regulations directly concerning the metrological service are to be found in 5 § (1) :

« Road authorities check axle loads of vehicles and compliance with regulations on limiting the traffic of overloaded vehicles, by means of measurements on the site, by using *equipment verified by the National Office of Measures (OMH)*. »

MEASURING EQUIPMENT

Loads acting on the road are determined by wheel and axle load scales of various principles of operation [1, 2, 8]. The electromechanical axle load scale, installed at all the boundary passage stations of Hungary, is shown in Fig. 1 [3]. The control of the outgoing, incoming, and transit traffic can be satisfactorily managed with the aid of this equipment.



Fig. 1. Axle and wheel load checking scale installed at a boundary passage station

Freight traffic inside the country is checked by the Public Roads Directorate of the Ministry of Transport and Communication, with the help of portable electromechanical axle load scales permitting the simultaneous measurement of three axle loads.

In the case of stationary scales at the boundary stations, two scale platforms of 600×1000 mm surface area each are built into the road surface, for sensing the load and transmitting a signal from the four compression type load cells supporting each platform (Fig. 2). Cells are connected in parallel, both mechanically and electrically.

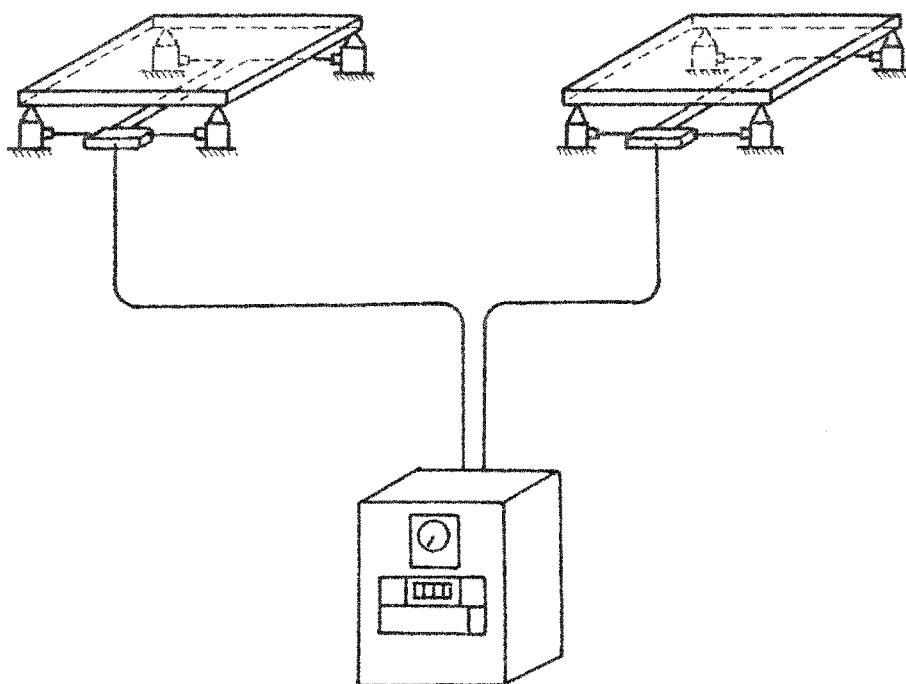


Fig. 2. Scheme of the electromechanical axle load scale

Loads are indicated by an automatic compensator. The signals from the individual platforms may be measured one-by-one, or summarized, with the help of a selector switch for measuring individual wheel loads or the total axle load, respectively. The automatic compensator is connected to a digital display arranged on the compensator casing, then to a printer, and to a large display tableau on the external wall of the operator's house to permit the reading of measured values outside also.

Measurement of wheel and axle loads, respectively, can be commuted at a distance from the portable selector switch box connected by a cable to the compensator.

Nominal load capacity of each platform is 10 tons, accuracy is $\pm 2\%$ of full scale deviation.

MODEL EXAMINATION

The model examination of the axle load scale was performed by the National Office of Measures of Hungary in two steps :

- 1 — the laboratory test, and
- 2 — the site test.

1. Laboratory test

During the laboratory test the required force effects were produced on a force standard machine [4]. Both bridge platforms were placed, atop each other, into the compression space of the machine. Output signals from the platforms were evaluated

- under central loading with a 20 mm diameter steel rod as load transmission element,
- under eccentric loading, with the above mentioned load transmission element shifted by 200 mm from the symmetry axis of the platform,
- under central loading with a 250 mm diameter disc as load transmission element,
- corner loading with the load transmission disc.

The test included also the determination of the

- accuracy,
- supply voltage dependance, and
- temperature dependance

of the automatic compensator, as well as the checking of the hermetic sealing of the load cells. The cells may be built into the scale only after the hermetic sealing test. Other parameters of the load cells were tested during an earlier model examination [5, 6, 7].

2. Site test

The site test of several scales was performed after installation and putting into operation, or after a short operation period. On these occasions the whole system was tested as a complete scale. Direct checking by standard weights was not possible due to restricted platform surface. A mass of 10 tons cannot be accommodated on a surface area of 600×1000 mm. Accuracy specifications of the equipment, however, did not require the application of the direct loading method. Therefore the following loading technique was employed (Fig. 3).

Two threaded anchoring stubs (1) are built into the road at both sides of the platform (2). During the test threaded distance rods (3) are screwed to these threaded stubs. The distance rods support a welded upper beam (4) fixed by nuts (5) to the threaded ends of the distance rods. In this way the platform is surrounded by a closed frame system. Then a load distribution disc (6) with a hydraulic jack (7) on it, holding the master load cell (8) is placed in the centre of the platform. The characteristics of the compression type master cell of 10 Mp nominal load capacity, together with the connected portable compensator, have been plotted previously using the force standard

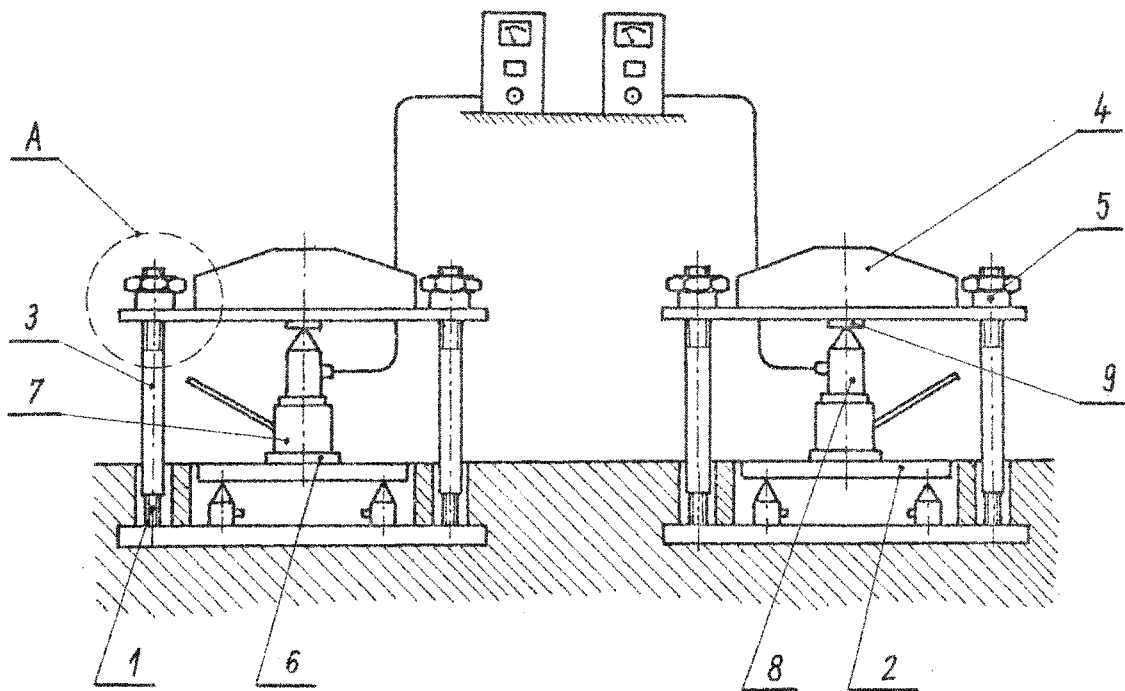


Fig. 3. Indirect loading method for testing axle load scales

machine of the National Office of Measures. The upper pressure platen (9) of the master load cell is supported by the center portion of the beam construction. In this way the platform scale, the hydraulic jack, and the master cell are connected in series mechanically within the closed frame structure.

The force effect created by operating the hydraulic jack can be measured accordingly both by the electromechanical axle load scale, and by the master load cell. The required load is preset on the portable compensator, hereafter the hydraulic jack is operated until the force increases to the preset value. Then the measured value, or the deviation from the exact value is read on the compensator and the digital display belonging to the scale being examined.

This method has the disadvantage that the hydraulic jacks are unsuited to maintain a force effect stable in time, therefore instantaneous reading is necessary; thus only one of the platforms can be tested at a time, while the other is without load. Therefore the method was improved (Figs. 4 and 5) by eliminating the hydraulic jack. The upper ends of the distance rods were made with fine threads, and thrust bearings (11) were built in under the fixing nuts (5). This technique permits loading both platforms simultaneously by turning nuts (5) and the created load remains unaltered for any period.

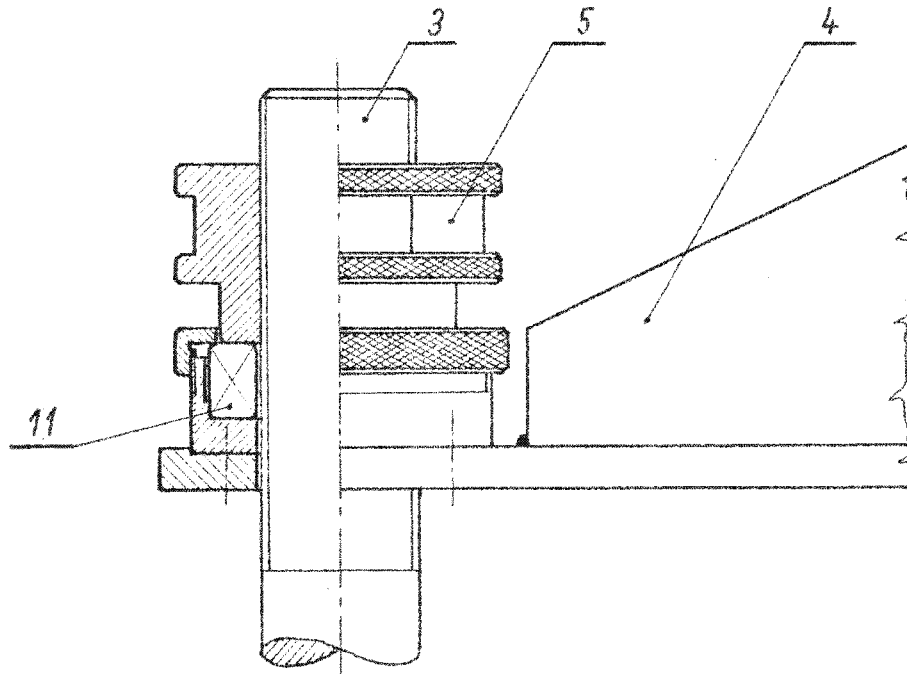


Fig. 4. Loading by fine-threaded nuts, an improved version of detail A in Fig. 3

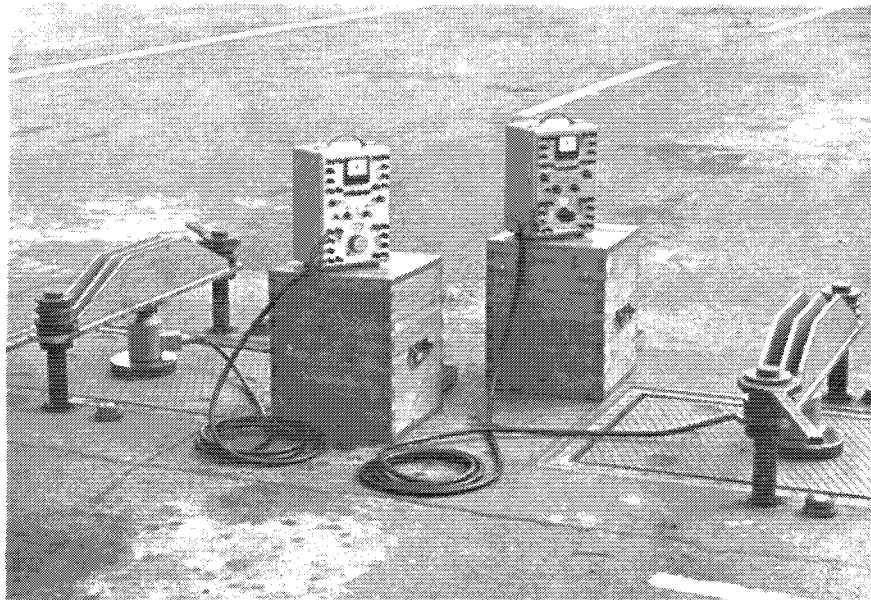


Fig. 5. Verification of axle load scales by means of a standard measuring device consisting of master cells and portable compensators

3. Estimation of errors

The applicability of test methods is determined by the specified accuracy of the equipment to be tested and by the total inaccuracy of the standard measuring device. The specified accuracy of the electromechanical axle load scales was $\pm 2\%$ of full scale deviation in the present case. This determines also the required accuracy of the master measuring device, which should be $1/10$ to $1/5$ of that of the equipment to be tested, i.e. not greater than $\pm 0.4\%$ in the present case.

Let us first examine the accuracy of the standard measuring device consisting of the master load cell and of the compensator. The characteristics of this device used at the site test had been plotted on the force standard machine. The total error of the lever transmission force standard machine of the OMH does not exceed the value of $\pm 2 \cdot 10^{-4}$, including the accuracy of the loading mass, the determination of corrections (allowing for the deviation from the standard gravity value, the air lift, the density variations), and the transmission ratio adjustment (σ_1) [4].

The characteristics of the standard measuring device are calculated from values measured during 4 increasing and decreasing loading cycles on the force standard machine [5]. The four cycles are measured in different positions of the cell, which is rotated $90^\circ - 180^\circ - 270^\circ$ degrees around its axis between the cycles. The deviation from linearity and the hysteresis of the equipment may be left out of consideration, as the examination of axle load scales is performed at the measured points of the characteristics without interpolation, and only by increasing loads. Essential is, however, the standard deviation of values obtained at the individual loads during the four cycles. From among all the loads the one with the maximum standard deviation is taken into account in considering the propagation of random errors (σ_2).

Another important factor is the long-time stability of the force measuring device, for the assessment of which the data of two years are available. During this time the system consisting of the master load cell and the portable compensator was tested four times. Considering also the maximum difference between the four plotted characteristics as a random error, the value representing long-time stability (σ_3) was calculated.

Accordingly, available data are :

— accuracy of the force standard machine

$$\sigma_1 = \pm 2 \cdot 10^{-4},$$

— unified standard deviation of the standard measuring device (master cell + portable compensator)

$$\sigma_2 = \pm 5 \cdot 10^{-4},$$

— long-time stability of the standard measuring device

$$\sigma_3 = \pm 6 \cdot 10^{-4}.$$

The resulting accuracy of the standard measuring device used for the examination of axle load scales is found to be

$$\sigma = \sqrt{\sigma_1^2 + \sigma_2^2 + \sigma_3^2} = \pm 10^{-4} \sqrt{2^2 + 5^2 + 6^2} = \pm 8,1 \cdot 10^{-4} \approx \pm 1 \cdot 10^{-3}$$

We see that the resulting accuracy of the standard measuring device is lower than the calculated requirement for specified accuracy of the axle load scale equipment. This means that the examination method is applicable as it meets basic metrological requirements.

VERIFICATION OF AXLE AND WHEEL LOAD SCALES

The verification of axle load scales in conformity with the legal regulations discussed in the introduction is performed at the site, by employing the same measuring equipment as during the model examination. The indication of each scale platform is examined at load increments of 2 tons in increasing order, in two series of measurements. Readings are taken from the compensator display, the large display tableau and the printer.

The certificate of the first verification is issued for a half-year period. If the scale is functioning correctly after this time, the validity of the following periodic verifications is one year.

REFERENCES

- [1] H. G. : Radlastmesser und ihre Bedeutung im Strassenverkehr. wagen + dosieren N° 6 (Nov. 1973).
- [2] Dobos, L. — Kovács, G. : A közutak terhelésének mérése (Public road load measurements). Mérésügyi Közlemények XV (1974), 66-67.
- [3] Courtesy of Metripod Scales Factory, Hódmezővásárhely.
- [4] Petik, F. : Problems of the Classification of Force Standards and the Calibration of the Hungarian Standard Machine. VDI-Berichte Nr. 176, Düsseldorf, 1972, p. 21-30.
- [5] Instruction N° 3-1971 (Mér. K. 3) OMH by the President of the National Office of Measures. Electric strain gauge type load cells. Test methods. (In Hungarian). Mérésügyi Közlemények XII (1971), p. 49-58.
- [6] Kovács, G. — Petik, F. : The New CMEA-Recommendation on Load Cell Test Procedures. VDI-Berichte Nr. 176, Düsseldorf, 1972, p. 11-20.
- [7] Petik, F. : Die staatliche Prüfung der Kraftmessdosen in Ungarn. VDI-Berichte Nr. 137, Düsseldorf, 1970, p. 91-93.
- [8] Kovács, G. : Test Method of Wheel and Axle Load Scales. 5th International Conference of the IMEKO Technical Committee « Measurement of Force and Mass », Szeged, 3-6 Sep 1974.

SUÈDE

SURVEY CONCERNING LEGAL METROLOGY In SWEDEN

1975 - 09.18

The term « legal metrology » covers that area of measurement technology in which measuring instruments must, according to legal or other statutory stipulations, be officially controlled by an authority. Ever since the Royal Decree on Measures and Weights of March 10, 1665, Swedish law has stipulated that important instruments used for measuring length, volume and weight shall be controlled in accordance with special regulations by a public authority and provided with a certificate to that effect. This has been done by punching a crown on the weight or measuring device. That is the origin of the term « crowning » a measuring instrument, used in law texts and in daily speech.

On July 1, 1972 the authority to carry out these inspections was transferred from mynt- och justeringsverket to statens provningsanstalt (SP). At the same time SP was appointed as being the authority for official testing and inspection as well as for legal and general metrology. New legislation concerning legal metrology came into force on July 1, 1973 as a result of the Volume and Weight Determination Act (SFS 1971 : 1081) and the Royal Decree on Determination of Volume and Weight, etc. (SFS 1973 : 85). Both of these texts will be found in appendices 1 and 2 respectively.

According to the Act, the compulsory verification of measuring instruments is confined to instruments used for determination of volume or weight of products sold in retail trade. Consequently, measuring instruments used, for example, in industry in conjunction with the production of pre-packaged commodities are not subjected to this control obligation. In the case of trade between business-owners, the control obligation is limited to cases in which one of the business-owners can be regarded as being the final consumer of the measured product, e.g. in conjunction with oil deliveries to an industry for heating purposes. In other words, the compulsory verification does not embrace measuring instruments used in the manufacture of products in an industry. SP undertakes, however, the voluntary verification of such measuring instruments. In addition, SP, either in its capacity as national measurement centre or as part of its normal testing activities, accepts commissions to control and calibrate measuring instruments for many other quantities.

The correctness of the information concerning volume or weight on pre-packed commodities is verified by random sampling. This is a new provision in the Volume and Weight Determination Act. Random sample examinations of this type are carried out in the foodstuffs sector in collaboration with the National Foodstuffs Administration.

SP is the supervisory and prescribing authority for the observance of the law and in questions concerning legal metrology. SP has issued regulations and directives for these sectors. These are listed in appendix 3. Wherever possible, the Swedish regulations have been adapted to the OIML recommendations. Inspection activities are carried out by means of a field organization broken down by regions and headed by a central unit, the laboratory for legal metrology. There are five regions with regional offices in Sundsvall, Stockholm, Jönköping, Gothenburg and Malmö. These regions contain a total of 27 district offices.

SWEDISH CODE of STATUTES

THE VOLUME AND WEIGHT (DETERMINATION) ACT

SF 1971 : 1801

Printed and published 28 december 1971

Section 1 This Act applies to commercial trading in products sold by volume or weight or marked with information stating volume or weight.

The term « pre-packed commodity » within the meaning of this Act means a product that has been enclosed in a package intended not to be opened until it reaches the consumer. Packaging is not carried out at the time when the goods are delivered to the consumer.

The term « verified instrument » within the meaning of this Act means an instrument examined and approved by a public authority and provided with a certificate to that effect. Regulations concerning verification will be issued by the government or by an authority nominated by the government.

Section 2 The correctness of information concerning volume or weight on a pre-packed commodity will be controlled by random sampling. Such examination will be made by an authority nominated by the government and may be carried out at the premises of a manufacturer, importer, packer, wholesaler or retailer.

Section 3 If a product is sold in retail trade by volume or weight otherwise than as stated in Section 2, a verified instrument shall be used. The instrument shall be used in such a manner that the customer can without difficulty see the result of the measurement.

Section 4 In premises for retail trading in foodstuffs, the proprietor of the shop shall supply the customers with a separate verified scale for weighings that customers wish to carry out. Such a scale shall have been so manufactured that it is suitable for its purpose and shall be positioned in a place that is easily accessible for the customers.

Section 5 Observance of the provisions of Sections 3 and 4 will be supervised by an authority nominated by the government.

Section 6 For the purpose of examination in accordance with the provisions of Section 2 or of supervision in accordance with the provisions of Section 5, the supervising authority has right of access to an area or premises in which a product is packed, stored or sold, or where a measuring instrument has been placed.

The person at whose premises examination or supervision takes place shall provide necessary assistance.

Section 7 A packer or importer who deliberately or by gross negligence offers for sale a pre-packed commodity with incorrect information concerning volume or weight, will be fined, unless the act committed is punishable according to the Criminal Code.

A person who deliberately commits a breach of Section 3 or Section 4 or who fails to comply with the provisions of Section 6 incumbent upon him shall be fined.

If more than one person has taken part in the committing of an act such as is referred to in the first paragraph of this Section, the provisions of Chap. 23, Sections 4 and 5 of the Criminal Code shall be correspondingly applicable.

Section 8 The government or an authority nominated by the government may permit exemption from the provisions of Section 3 or Section 4.

This Act becomes law on 1 July 1973, when the Weights and Measures Act (1934 : 162) shall lapse.

SWEDISH CODE of STATUTES

ROYAL DECREE on the DETERMINATION of VOLUME and WEIGHT, etc
SFS 1973 : 85

Printed and published 30 March 1973

Section 1 Statens provningsanstalt will verify instruments which must be verified in accordance with the provisions of the Volume and Weight (Determination) Act (1971 : 1081) or any other regulation.

SP may upon request also verify instruments other than those referred to in the first paragraph hereof.

Section 2 A measuring-instrument may be verified only if it is graduated in units that are included in the international system of units (SI) accepted by the General Conference on Weights and Measures.

The instrument shall comply with the other requirements stipulated by SP.

Section 3 SP may, if particular reasons necessitate such a procedure, permit exemption from the provisions of the first paragraph of Section 2.

Section 4 Verification is valid during the period and under the conditions determined by SP.

Section 5 Verification ceases to be valid if a verified instrument is deliberately or by negligence changed so that the requirements for verification are no longer being fulfilled.

Section 6 SP may allow verifications made by a foreign authority responsible for the control of weights and measures to be valid in Sweden.

Section 7 SP will carry out examinations in accordance with the provisions of Section 2 of the Volume and Weight (Determination) Act (1971 : 1081) and will supervise the observance of Sections 3 and 4 of the said Act. Foodstuffs shall be examined in consultation with the National Food Administration.

Section 8 SP may permit exemption from the provisions of Sections 3 and 4 of the Volume and Weight (Determination) Act (1971 : 1081).

Section 9 Payment for verification will be made in accordance with a tariff fixed by SP in consultation with the National Audit Bureau.

This Decree becomes law on 1 July 1973.

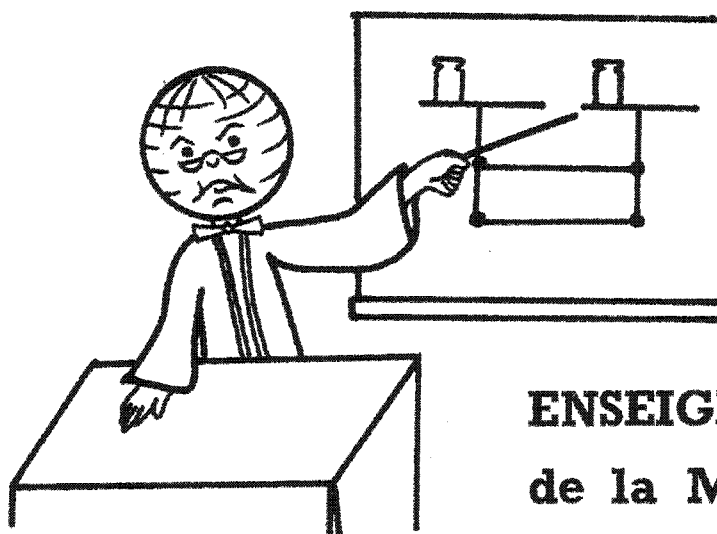
This Decree annuls

1. *the Weights and Measures Control Decree (1934 : 364),*
2. *the Decree (1934 : 365) on the determination of length, area, volume and weight etc.,*
3. *the Decree (1934 : 367) containing certain regulations concerning measuring and weighing,*
4. *the Decree (1935 : 158) on exemption from obligatory control for certain measuring instruments and weighing instruments,*
5. *the Decree (1958 : 229) concerning compensation to the Royal Mint and Department of Weights and Measures for pattern approval of measuring instruments and weighing instruments,*
6. *the Weights and Measures Control Tarijf (1964 : 476).*

LIST of PRESCRIPTIONS and DIRECTIONS
CONCERNING VERIFICATION
as at 1975 — 09.10

- SP-FÖR 1973 : 1 General verification prescriptions
- SP-FÖR 1973 : 2 Prescriptions for conical swedish commercial weights
- SP-FÖR 1973 : 3 Prescriptions for cylindrical swedish commercial and precision weights
- SP-FÖR 1973 : 4 Prescriptions for swedish blade weights (precision weights)
- SP-FÖR 1973 : 5 Prescriptions for cylindrical OIML-weights (commercial weights)
- SP-FÖR 1973 : 6 Prescriptions for parallelepipedical OIML-weights (commercial weights)
- SP-FÖR 1973 : 7 Metrological prescriptions for non-automatic scales
- SP-FÖR 1973 : 8 General prescriptions concerning construction of non-automatic scales
- SP-FÖR 1973 : 9 Special prescriptions for scales for which pattern approval is required. Pendulum-scales combined with other balances
- SP-FÖR 1973 : 10 Special prescriptions for scales for which pattern approval is required. Over-and-under scales
- SP-FÖR 1973 : 11 Special prescriptions for scales for which pattern approval is required. Electronic scales
- SP-FÖR 1973 : 12 Special prescriptions for scales for which pattern approval is required. Spring scales
- SP-FÖR 1973 : 13 Special prescriptions for scales for which pattern approval is required. Automatic weighing machines
- SP-FÖR 1973 : 14 Special prescriptions for scales for which pattern approval is required. Special balances
- SP-FÖR 1973 : 15 Special prescriptions for scales for which pattern approval is not required. Steelyards in accuracy class 3 and 4
- SP-FÖR 1973 : 16 Special prescriptions for scales for which pattern approval is not required. Equal-Arm balances

-
- SP-FÖR 1973 : 17 Special prescriptions for scales for which pattern approval is not required. Decimal balances in accuracy class 3 and 4
- SP-FÖR 1973 : 18 Prescriptions for bismar and centesimal balances
- SP-FÖR 1973 : 19 Prescriptions for weighing instruments in retail trade
- SP-FÖR 1973 : 20 Prescriptions for liquid meters (for liquids other than water)
- SP-FÖR 1973 : 21 Prescriptions for meters with fixed measures for liquids (other than water)
- SP-FÖR 1973 : 22 Prescriptions for vehicle tanks used as measures
- SP-FÖR 1973 : 23 Prescriptions for standing cylindrical cisterns
- SP-FÖR 1973 : 24 Prescriptions for meters with fixed measures for dry commodities
- SP-FÖR 1973 : 25 Prescriptions for conical measures
- SP-FÖR 1973 : 26 Prescriptions for cylindrical measures
- SP-FÖR 1973 : 27 Reverification periods
- SP-FÖR 1973 : 28 Temporary prescriptions
- SP-FÖR 1974 : 1 Comments on prescriptions and directions concerning verification
- SP-FÖR 1974 : 2 Directions concerning verification of measuring instruments for cloth
- SP-FÖR 1974 : 3 Directions regarding compulsory verified instruments in retail trade
- SP-FÖR 1974 : 4 Regional verification offices in Sweden
- SP-FÖR 1974 : 5 Directions for verification officers about sampling inspection of pre-packaged commodities
- SP-FÖR 1974 : 6 Directions concerning determination of maximum permissible errors for balances
- SP-FÖR 1974 : 7 Office marks for verification offices
- SP-FÖR 1974 : 8 Verification prescriptions for simple length measuring instruments for general use
- SP-FÖR 1974 : 10 Directions for verification officers concerning surveillance etcetera according to the Government Decree, 1973 : 85



ENSEIGNEMENT de la MÉTROLOGIE

Le Bureau effectue une enquête auprès de tous ses États-membres afin de réunir des informations concernant les modalités d'enseignement de la métrologie en général et, plus particulièrement, de formation et de perfectionnement des Agents des Services de Métrologie Légale.

La synthèse des renseignements obtenus sera utilisée par le Secrétariat-Rapporteur OIML SP.25.Sr.5 : « Enseignement de la Métrologie », (responsable : Royaume du Maroc), qui constitue l'un des organes de travail du Secrétariat-Pilote OIML SP.25 : « Pays en voie de développement », (responsable : BIML).

Cette enquête a également pour but très important de recenser les possibilités qu'offrent certains de nos États-membres pour la formation et le recyclage de fonctionnaires d'autres Pays.

I — ENSEIGNEMENT de la MÉTROLOGIE en RÉPUBLIQUE DÉMOCRATIQUE ALLEMANDE

Plan de l'article

L'article commence, en vue d'une meilleure compréhension, par une vue d'ensemble de l'instruction publique unifiée socialiste en R.D.A. (point 1).

Suivent des développements sur la formation dans le domaine de la métrologie (point 2) et sur le recyclage des collaborateurs des Services d'Etat de Métrologie Légale (point 3).

1. Introduction — Vue d'ensemble de l'instruction publique unifiée socialiste en R.D.A.
2. Formation dans le domaine de la Métrologie.
 - 2.1. Formation pour les citoyens de la R.D.A. ;
 - 2.2. Formation pour les citoyens d'autres Etats.
3. Recyclage des collaborateurs des Services d'Etat de Métrologie Légale.
 - 3.1. Recyclage des Collaborateurs travaillant en R.D.A. ;
 - 3.2. Recyclage des citoyens d'autres Etats.

1. INTRODUCTION — VUE D'ENSEMBLE DE L'INSTRUCTION PUBLIQUE UNIFIÉE SOCIALISTE EN RDA

En RDA, il existe un système d'instruction publique unifié socialiste qui englobe le développement universel des citoyens jusqu'à leur activité professionnelle. Toutes les mesures de qualification sont considérées comme un ensemble de formation et de développement politico-idéologique et professionnel des cadres en personnalités socialistes.

Le système d'instruction publique unifié socialiste a une structure continue en ce sens que l'achèvement d'un degré d'études donne accès au degré suivant et que l'admission aux études supérieures est possible à partir de tous les degrés d'instruction. A la suite des écoles d'enseignement général polytechnique, nous distinguons les échelons d'instruction suivants :

- la formation d'ouvrier spécialiste, c.-à-d. la formation dans un métier ;
- la formation dans une école spéciale, par exemple la qualification d'ingénieur ;
- la formation supérieure.

L'acquisition d'une formation d'ouvrier spécialiste est le devoir de chaque jeune citoyen de la RDA. La condition préalable en est l'achèvement d'une école d'enseignement général polytechnique de 10 ou 8 classes.

L'admission à une école spéciale suppose la possession du C.A.P. d'un métier correspondant avec les études envisagées et une certaine expérience professionnelle. Les études spéciales aboutissent généralement à la qualification d'ingénieur.

L'admission à une école supérieure suppose le baccalauréat ou l'achèvement d'études spéciales similaires. Les études supérieures peuvent se terminer par une simple qualification supérieure, par exemple celle d'ingénieur d'école supérieure, physicien, etc... Les étudiants peuvent toutefois aussi, après la fin d'études, passer une thèse permettant d'obtenir la qualification de physicien diplômé, ingénieur diplômé, etc...

En règle générale, la formation dans les écoles supérieures aboutit au diplôme d'une discipline scientifique déterminée.

Les licenciés des différents échelons d'instruction ont acquis, par leur formation, la condition préalable de l'exercice d'une profession dans les secteurs correspondants de l'ensemble de l'économie nationale.

Étant donné que la formation est toujours de nature générale, mais que les problèmes de la pratique revêtent toujours un caractère particulier et que les acquis de la science et de la technique doivent constamment croître et être appliqués, tous les secteurs de l'économie nationale organisent, en vue de pénétrer à fond leur domaine d'activités, un recyclage généralement continu, fondé sur la formation précédente et sur l'expérience professionnelle déjà acquise. Aussi distinguons-nous à juste titre la formation et le recyclage.

2. FORMATION DANS LE DOMAINE DE LA MÉTROLOGIE

2.1. Formation métrologique pour les citoyens de la RDA

La métrologie n'est pas enseignée en tant que discipline particulière mais occupe une place plus ou moins large suivant les objectifs des différentes disciplines scientifiques ou techniques. La métrologie peut, d'une part, constituer un centre d'intérêt et est par conséquent intégrée, comme matière d'enseignement avec de nombreuses corrélations transversales, dans d'autres matières d'enseignement; d'autre part, la métrologie peut être traitée seulement en tant que partie constituante d'une autre matière d'enseignement.

La formation métrologique commence déjà, par la communication de ses fondements, dans les écoles obligatoires d'enseignement général polytechnique. Au cours de la formation professionnelle, ces fondements sont étendus davantage selon les impératifs du métier donné.

Examinons à présent comment la métrologie est enseignée dans les 283 métiers existant au total :

— dans tous les métiers, la « technique des mesures, commandes et régulations industrielles » est enseignée à titre de matière fondamentale;

— dans quelques 75 métiers, la métrologie fait l'objet d'une matière d'enseignement particulière;

— dans environ 15 métiers, la métrologie est considérée comme le centre d'intérêt de la profession et devient une matière d'enseignement particulière, tout en étant traitée dans une large mesure à l'intérieur des matières d'enseignement apparentées.

Des représentants de la théorie et de la pratique ont élaboré, au sein de commissions spécialisées par métiers, des programmes-cadres pour la formation professionnelle qui ont été déclarés légaux par le Secrétariat d'État à la formation professionnelle.

Prenons pour exemple la formation de l'ouvrier spécialiste « laborantin en physique » :

Au cours de 2 1/2 ans d'apprentissage, on lui communique des connaissances fondamentales de physique et de métrologie, à côté d'autres matières contribuant à la formation professionnelle, telles les mathématiques, le traitement électronique d'informations, la technique des mesures, commandes et régulations industrielles, l'électronique, les propriétés des matériaux. Ces cours fondamentaux sont enfin suivis d'une formation spéciale de 6 mois, en vue de l'activité ultérieure dans un domaine de travail déterminé. La formation théorique est assurée par les écoles professionnelles communales, alors que la formation pratique incombe aux futurs employeurs, par exemple l'ASMW (Office de standardisation, métrologie et contrôle des marchandises), l'AdW de la RDA ou l'usine Carl Zeiss d'Iéna.

La formation dans les écoles supérieures ou spéciales relève de la responsabilité du Ministère des écoles supérieures et spéciales. Cette autorité adopte toutes les réglementations fondamentales en tenant compte des besoins sociaux, y compris les intérêts de la science et de la technique.

La formation métrologique s'opère selon plusieurs orientations d'études avec cours d'approfondissement, lesquelles sont fixées en détail selon la nomenclature des formations supérieures et spéciales, par exemple la physique, la construction mécanique, la technologie chimique, l'électrotechnique, la technique de l'automatisation, la construction d'appareils scientifiques.

La formation dans les écoles spéciales, c.-à-d. écoles d'ingénieurs des différentes orientations scientifiques et techniques, englobe des études fondamentales, spécialisées et de spécialisation finale ainsi qu'un stage de 3 à 6 mois dans une entreprise adéquate.

La métrologie est intégrée dans les programmes d'études en fonction de son importance pour les différentes orientations de spécialisation.

Les étudiants reçoivent des connaissances sur :

- les fondements de la métrologie
- les moyens et équipements de mesure et de contrôle
- les procédés de mesure et de contrôle et leur application judicieuse
- l'organisation des processus de contrôle.

La formation dans les écoles supérieures englobe au total environ 50 orientations d'études (fondamentales), dont plus de la moitié sont des disciplines techniques ou scientifiques. Dans les disciplines scientifiques ou techniques telles la construction mécanique, propriétés des matériaux, électrotechnique appliquée, physique etc., les étudiants suivent :

- des études fondamentales (environ 5 semestres)
- des études spécialisées (environ 2 semestres, y compris un stage de 12 semaines dans une entreprise)
- des études d'approfondissement (environ 1 semestre) dans la spécialité orientant vers le mémoire de diplôme.

Les cours de métrologie sont partie intégrante des programmes d'études et l'on a élaboré pour ces cours des documents autorisés d'études, par exemple des programmes et plans pour les études spécialisées, des lignes de conduite pour les cours et stages au laboratoire, des résumés de cours.

Les licenciés des différents échelons de formation sont capables d'être employés utilement, et même avec une certaine souplesse, comme collaborateurs :

- des Services d'État de métrologie légale ou de recherche métrologique,
- des Instituts de physique de l'Académie des sciences de la RDA, des écoles supérieures ou universités,
- des établissements industriels les plus variés.

2.2. Formation pour les citoyens d'autres Etats

En vertu des accords interétatiques conclus entre le gouvernement de la RDA et les gouvernements d'autres États, des études de citoyens d'autres États dans les institutions d'instruction de la RDA peuvent faire l'objet de conventions d'application.

Le coût de la formation peut être pris en charge partiellement, voire intégralement, par la RDA. Pour autant que le pays envoyeur compte parmi les pays en voie de développement, la formation est en principe gratuite. Si les conventions interétatiques le prévoient, les étudiants étrangers peuvent même recevoir une bourse comprise entre 250,— et 550,— marks. Des moyens supplémentaires sont prévus pour les frais de voyage ou de trajet, les logements dans des internats, l'habillement, l'intégration culturelle et sociale, les stages spéciaux de courte durée, l'assurance sociale.

Les accords interétatiques tiennent compte a priori des connaissances de langues des citoyens étrangers. C'est ainsi que des cours intensifs de langue allemande d'une durée de 3 à 6 mois sont organisés, en vue de la préparation linguistique et scientifique générale des étudiants étrangers, à l'Institut Herder de l'Université Karl Marx de Leipzig.

La culture générale préalable des cadres étrangers devrait correspondre, si possible, au baccalauréat et à la licence d'une école spéciale ou supérieure du pays délégateur ou bien à une expérience professionnelle pratique de plusieurs années. En règle générale, les institutions d'enseignement de la RDA partent toutefois de la qualification effective des étudiants étrangers et créent toutes les possibilités requises de remise au courant en vue de combler les lacunes éventuelles de la culture générale préalable.

Une fixation relative aux **limites d'âge** n'existe pas.

La durée de la formation, abstraction faite des cours préparatoires de langue, correspond aux réglementations concernant les durées des études générales et peut atteindre 3 à 5 ans.

Les certificats de fins d'études ou licences correspondent aux objectifs de formation des différentes institutions et sont attribués au même titre qu'aux étudiants originaires du pays.

3. RECYCLAGE DES COLLABORATEURS DES SERVICES D'ÉTAT DE MÉTROLOGIE LÉGALE.

3.1. Recyclage des collaborateurs travaillant en RDA

Il n'existe pas de formation particulière pour les collaborateurs des Services d'État de métrologie légale, mais le recyclage de ces collaborateurs est effectué selon les caractéristiques des connaissances et aptitudes professionnelles requises par les futures tâches, et cela en se fondant sur les C.A.P. ou licences de formations professionnelles ou études impliquant une proportion convenable de connaissances métrologiques, par exemple les qualifications de laborantin en physique, d'ingénieur ou de physicien diplômé. Le recyclage dans le domaine de la métrologie est conçu de manière relativement complexe. Il est axé sur les besoins tant des collaborateurs de l'ASMW que des collaborateurs employés dans les industries, dans la recherche ou dans l'enseignement.

Il existe de multiples formes du recyclage, par exemple la qualification sur le tas, l'échange d'expériences, les études individuelles dirigées, les séminaires, conférences, colloques, congrès, stages ainsi que les études de formation complémentaire.

Sont responsables de l'organisation du recyclage différentes institutions disséminées dans toute la République, par exemple :

— les commissions de qualification existant au sein des entreprises
(compétence : qualification sur le tas, études individuelles dirigées, délégation à d'autres formes de qualification)

— les institutions d'instruction des académies d'entreprise
(compétence : conférences, séminaires, colloques, stages)

— les institutions d'instruction des établissements de la « Chambre de la Technique », existant au niveau des associations spécialisées, comités spécialisés, directions de branche industrielle, communautés de travail, sections d'entreprise et sociétés scientifiques et techniques

(compétence : conférences, séminaires, colloques, congrès, stages)

— la Société de physique de la RDA
(compétence : colloques, congrès)

— des écoles supérieures ou spéciales de science et technique, particulièrement choisies

(compétence : colloques, symposiums, études de formation complémentaire, par exemple celles d'ingénieur contrôleur).

L'admission aux manifestations de recyclage est implicitement accordée par la délégation des collaborateurs, par la direction de l'entreprise ou de l'institution où ils sont occupés.

Chaque institution de recyclage confère au recyclage un cachet caractéristique. C'est ainsi que les manifestations de recyclage organisées par l'ASMW ont pour centre d'intérêt, étant donné les tâches posées à cette institution par l'État, l'aboutissement de la métrologie légale, tandis que les autres institutions d'instruction se tournent plutôt vers les problèmes scientifiques liés à la matière et qu'elles traitent des dispositions légales relatives à la métrologie davantage en rapport avec ce domaine d'application.

L'ASMW organise des manifestations de recyclage dans différents bureaux, laboratoires et parfois entreprises, pour les cadres directeurs ou responsables, de même que les collaborateurs scientifiques de l'ASMW et, de plus, pour ses collaborateurs occupés dans les industries, par exemple les directeurs étatiques des organisations de contrôle technique, les contrôleurs de moyens de mesure, les ingénieurs ou responsables chargés du contrôle.

Les collaborateurs de l'ASMW acquièrent des connaissances très complexes qui impliquent aussi des problèmes de gestion et les corrélations avec d'autres sciences, tandis que l'on enseigne aux collaborateurs venant des industries avant tout des connaissances applicables directement dans la pratique ainsi que des aptitudes de travail.

Les programmes de recyclage sont établis en fonction de la qualification requise et de la culture générale préalable des participants et sont réalisés dans des cours théoriques ayant différents degrés de difficulté et, le cas échéant, également dans des stages pratiques.

Il existe des programmes-cadres d'enseignement dans lesquels on choisit les matières à enseigner dans un cas donné. Ces programmes-cadres contiennent les complexes suivants :

- Bases légales générales et réglementations normatives de la métrologie d'État
- Fondements de la métrologie
 - . Grandeurs et unités physiques, leur représentation et leur transmission
 - . Notions de métrologie
 - . Théorie des erreurs
 - . Normes
- Gestion, planification et organisation de la métrologie d'entreprise et d'État
- Fondements de la théorie des mesures, par exemple pour les domaines : longueur, masse, force, dureté, volume, température, pression, électricité, temps, optique, technique des mesures analytiques, rayonnements ionisants
- Mesures pratiques au laboratoire
 - . Contrôle de moyens de mesure
 - . Attestation d'étalons et moyens de mesure pour la pratique
 - . Étalonnage de moyens de mesure

Un système de recyclage permanent ou réitératif existe en ce sens que le cercle des participants est regroupé pour une nouvelle manifestation de recyclage au bout d'un certain temps, c'est-à-dire quand des acquis nouveaux nécessitent des modifications. Une attestation à durée limitée n'existe pas.

3.2. Recyclage des citoyens des autres Etats

Un recyclage de citoyens étrangers peut être convenu, tout comme une formation professionnelle (§ 2.2.) dans le cadre des accords interétatiques conclus entre le gouvernement de la RDA et le gouvernement d'un autre État.

En règle générale, un recyclage sera organisé par l'ASMW, puisqu'il s'agit principalement du recyclage de cadres étrangers destinés à assumer des tâches dans l'édification ou l'extension de la métrologie d'État dans le pays d'origine.

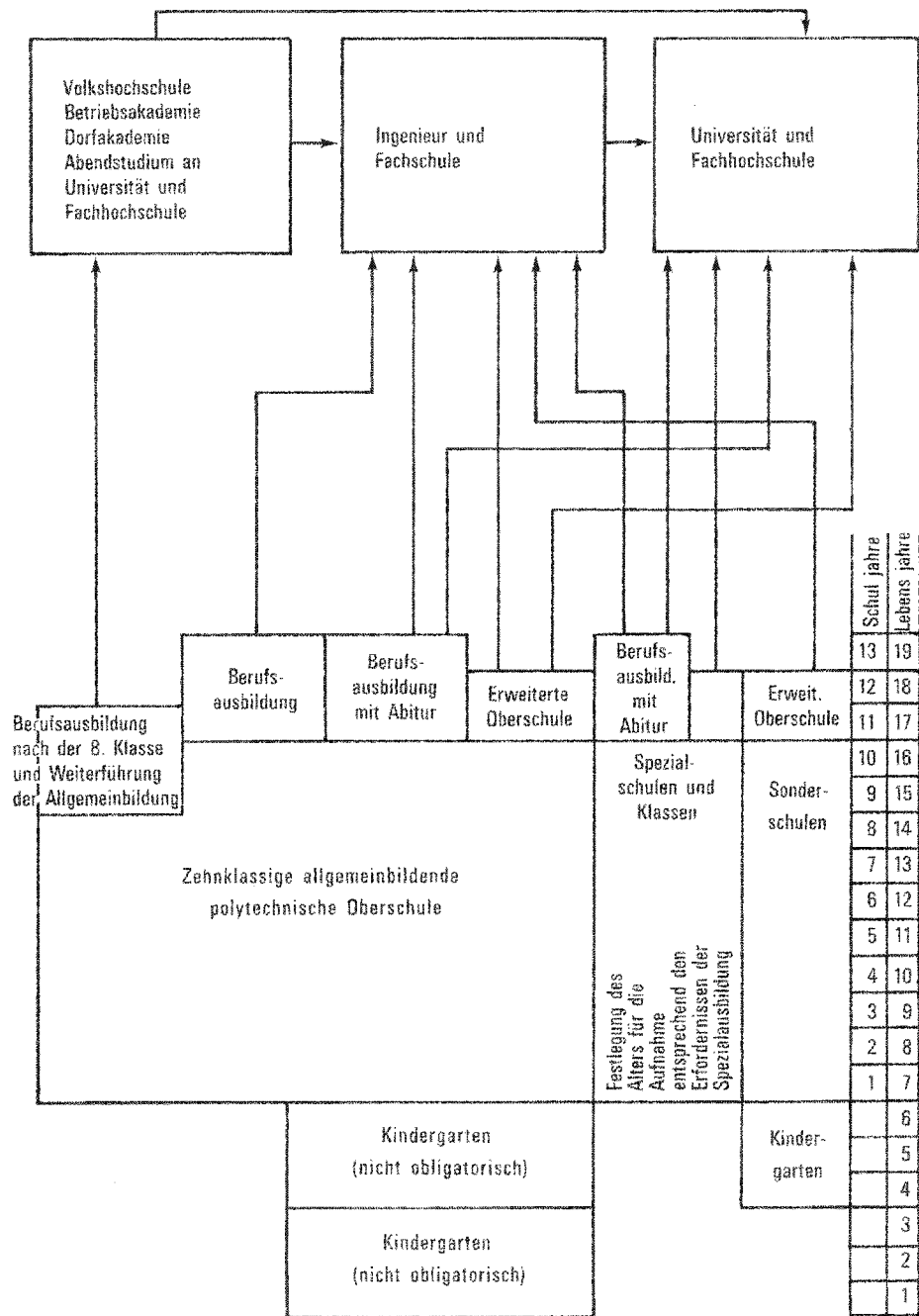
La durée du recyclage peut être de 3 mois à 1 an au maximum. Le recyclage englobe :

- Une introduction aux fondements de la métrologie
- La recherche métrologique dans un ou plusieurs domaines spéciaux choisis
- Gestion, planification et organisation de la métrologie légale dans la pratique industrielle d'établissements choisis, en ce qui concerne le contrôle de moyens de mesure et équipements de mesure dans les secteurs convenus de la métrologie.

A la demande d'États étrangers, les programmes-cadres d'enseignement peuvent être transmis en vue du choix des matières devant faire l'objet du recyclage.

Pour certifier que les études ont été menées à bonne fin, il sera exclusivement délivré un certificat. Les performances obtenues ressortiront d'une appréciation verbale.

Tous les autres règlements régissant le recyclage correspondent aux dispositions légales de la RDA sur la formation professionnelle de citoyens étrangers (cf. §2.2.).



EINHEITLICHES SOZIALISTISCHES BILDUNGSSYSTEM

Das Schema gibt keine quantitativen Proportionen an.

Volkshochschule Betriebsakademie Dorfakademie Abendstudium an Universität und Fachhochschule	École populaire supérieure Académie d'entreprise Académie de village Études du soir à l'université ou à une école spéciale supérieure
Ingenieur- und Fachschule	École d'ingénieurs ou spéciale
Universität und Fachhochschule	Université ou école spéciale supérieure
Berufsausbildung nach der 8. Klasse und Weiterführung der Allgemeinbildung	Formation professionnelle après la 8 ^e classe et poursuite de l'instruction générale
Berufsausbildung	Formation professionnelle
Berufsausbildung mit Abitur	Formation professionnelle avec baccalauréat
Erweiterte Oberschule	Lycée
Berufsausbildung mit Abitur	Formation professionnelle avec baccalauréat
Erweiterte Oberschule	Lycée
Spezialschulen und -klassen	Écoles et classes spécialisées
Sonderschulen	Écoles particulières
Zehnklassige allgemeinbildende polytechnische Oberschule	École d'enseignement général polytechnique de dix classes
Festlegung des Alters für die Aufnahme entsprechend den Erfordernissen der Spezialausbildung	Fixation de l'âge d'admission suivant les impératifs de la formation spéciale
Kindergarten (nicht obligatorisch)	Jardin d'enfants (non obligatoire)
Einheitliches sozialistisches Bildungssystem	Système d'instruction publique unifié socialiste
Das Schema gibt keine quantitativen Proportionen an	Le schéma n'indique pas de proportions quantitatives

CENTENARY CELEBRATION
of the
NORWEGIAN SERVICE of LEGAL METROLOGY

OSLO — October 3 — 1975

On the 3rd of October 1975, His Majesty King OLAV, Crown Prince HARALD and Crown Princess SONJA attended a ceremony in celebration of the Centenary of the Norwegian Service of Legal Metrology.

This ceremony, organized by Mr. KNUT BIRKELAND, Director of the Norwegian Service of Legal Metrology, Member of the International Committee of Legal Metrology, took place in the Aula of the University of Oslo.

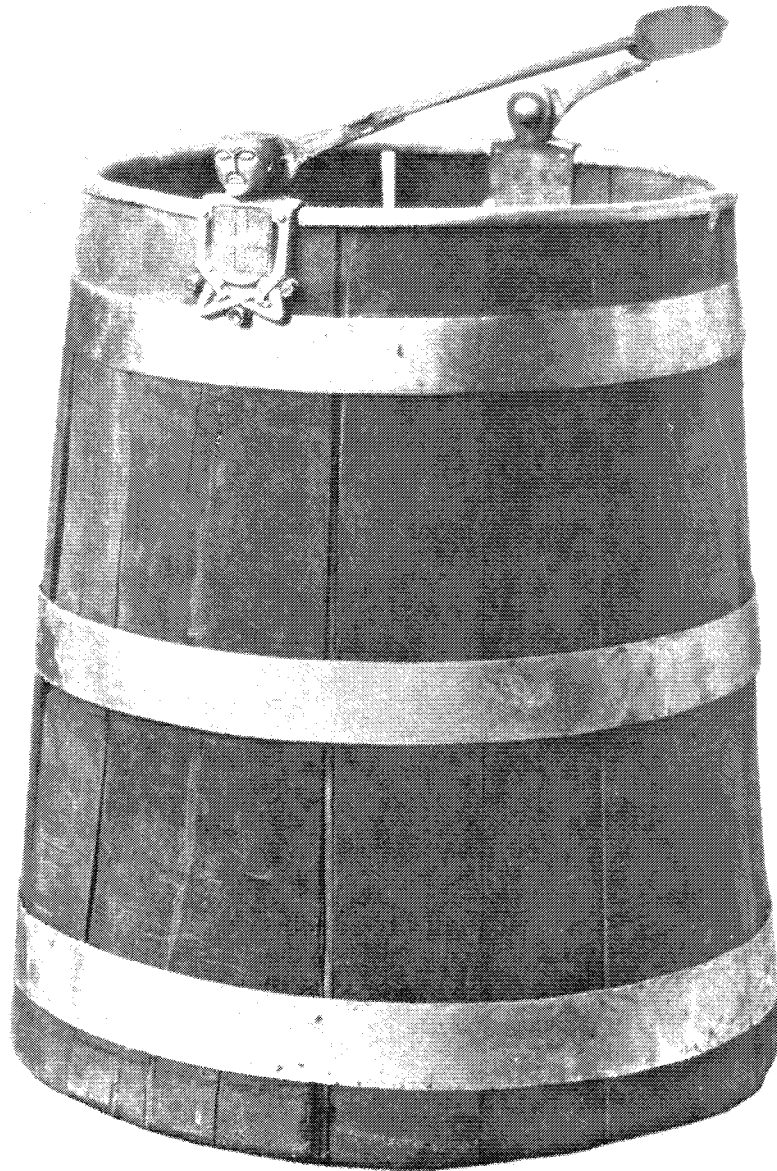
Several hundred persons — among them representatives of the Norwegian Government and delegates of European Countries, of European National Standards Laboratories, National Services of Legal Metrology etc. and of International Organisations — enjoyed this meeting during which, in addition to various speeches, the audience was privileged to hear outstanding interpretations of Norwegian music.

Of course, all the orators pointed out the link between this centenary and that of the Meter Convention.

Mr TERRIEN, Director, International Bureau of Weights and Measures, described the creation of the International Bureau of Weights and Measures and its work during the past 100 years. Giving the measurement of length as an example, he explained the very important role of his Organisation in the international harmonisation of scientific metrology. He also pointed out the contribution of Norway to international metrology. It was for instance the Norwegian Professor O. J. BROCH, creator of the Norwegian Service of Legal Metrology, who was the Director of BIPM from 1879 to 1889, leading up to the first General Conference in 1889 when the first set of national prototypes could be distributed.

The Prime Minister, Mr. TRYGVE BRATTELI, traced the history of the service of Legal Metrology in Norway, which is the youngest inheritor of responsibility for a long and well established system of consumer protection, codification of the National Law having been established 700 years ago by the King Magnus Lagaboter.

Afterwards Dr ANDERS OMHOLT, Director of the Department for Resources, Environment and Technology of the Federation of Norwegian Industries, emphasized the importance of Metrology in industry and recalled the names of the past Directors of the Norwegian Service, only 4 in 99 years : ADAM FREDRIK OLAF ARNDTSEN, DANIEL ISAACHSEN, OLAF FALK and STURE KOCH (who had been a Member of CIML for 20 years).



The « *bucket of Buddha* » found in the Oseberg excavations and exhibited in the BIGDOY VIKING MUSEUM, OSLO.

The purpose of this container is not known, but it was not apparently an ordinary milk bucket. Was it perhaps a standard capacity measure ?

Reproduced with the kind permission of Mr THORLEIF SJOVOLD, author of « The Oseberg excavations and other discoveries of Viking vessels ».

Mr OVE NORELL, General Director of Statens Provningsanstalt, Sweden, and Member of the International Committee of Legal Metrology, and BERNARD ATHANÉ, Director, International Bureau of Legal Metrology, gave their congratulations both to the Norwegian Service and the International Bureau of Weights and Measures, on behalf of the Scandinavian Countries and OIML respectively.

This celebration day was embellished by a tour in the Oslo area, and a visit to the Frogner Garden, in which hundreds of statues by Vigeland are exposed, and a visit to the Viking Museum.

The day ended with a banquet offered by the Norwegian Government in the magnificent Akershus Palace, hosted by the Prime Minister, during which the guests applauded the addresses of Mr MAGNUSSEN Minister for trade, Dr DUNWORTH, Président of the International Committee of Weights and Measures and Professor INGELSTAM, Head of the Swedish National Calibration Service.

RAPPORT ABRÉGÉ
de la
RÉUNION
du **SECRÉTARIAT RAPPORTEUR OIML FI.7 :**
« DISTRIBUTEURS et COMPTEURS de LIQUIDES
AUTRES QUE L'EAU »

(République Fédérale d'Allemagne + France)

ÉTUDE du PREMIER AVANT-PROJET de RECOMMANDATION
« ENSEMBLES DE MESURAGE DE LIQUIDES AUTRES QUE L'EAU »

Londres, Royaume-Uni
2-5 Décembre 1975

Le Secrétariat-rapporteur OIML FI.7 « Distributeurs et compteurs de liquides autres que l'eau », qui a déjà élaboré deux Recommandations Internationales (n° 5 : Compteurs de liquides autres que l'eau à chambres mesureuses et n° 7 : Dispositifs complémentaires pour compteurs de liquides autres que l'eau), poursuit son activité par l'étude d'un Avant-projet intitulé « Ensembles de mesurage de liquides autres que l'eau » relatif aux pompes à essence de station-service, ensembles de mesurage sur camion, dispositifs de réception ou de livraison de lait, etc...

Une première réunion s'est tenue, du 2 au 5 décembre 1975, à Londres, grâce à l'obligeante invitation du Gouvernement Britannique, sous la présidence du Professeur BLUSCHKE (Rép. Féd. d'Allemagne). La première séance a été ouverte par Mr PLATT, Membre du Comité International de Métrologie Légale.

Les participants étaient les suivants :

République fédérale d'Allemagne	M. BLUSCHKE M. EBERLE	Physikalisch - Technische - Bundesanstalt d°
États-Unis d'Amérique	M. EDGERLY M. IRWIN M. HALL M. SEWARD M. HARTMANN	National Bureau of Standards d° American Petroleum Institute d° d°

Autriche	M. KOGLER	Bundesamt für Eich-und Vermessungswesen.
Danemark	M. NIELSEN	Justervaesenet
France	M. GOLDNER M. MAUGEIN M. RENOUF	Service des instruments de mesure d° d°
Hongrie	M. BERCSI	National Office of Measures
Japon	M. KAWATA M. KATAKURA	Nat. Res. Lab. of Metrology Tokico Ltd
Norvège	M. BIRKELAND	Justerdirektoratet
Pays-Bas	M. NIEUWLAND M. KUYLEN	Weights and Measures Service d°
Pologne	M. HRUBAN M. PESTRAKIEWICZ	Polish Committee for standardization and measures d°
Royaume-Uni de Grande-Bretagne et d'Irlande du Nord	M. SAMUELS M. TURSKI M. HAYWARD	Department of Prices and Consumer Protection (D.P.C.P.) N.E.L.
Tchécoslovaquie	M. TRŽIL	Inst. for Metrology
Suède	M. GRÖNKVIST	Statens Provningsanstalt
Suisse	M. LERCH	Bureau fédéral des poids et mesures
B.I.M.L.	M. ATHANÉ M. ALLWRIGHT	
I.S.O.	M. FERGUSON M. KÄUFLEIN	Royaume-Uni République fédérale d'Allemagne
C.E.E.	M. RAYNAUD	Direction générale du marché intérieur
C.E.C.O.D.	M. SCHNURMANN M. WILSON	République fédérale d'Allemagne Royaume-Uni
Interprète	Mrs T. BURN	22 Stompond Lane-Walton-on Thames SURREY KT 12.1HB

Le Rapport complet peut être obtenu auprès du B.I.M.L.

Avant d'aborder l'étude technique du premier Avant-projet, des discussions de caractère général ont porté sur les points suivants :

— **Collaboration avec l'ISO :**

L'avant-projet avait fait l'objet de remarques de la part de certains Comités-membres de l'ISO, exposées en séance par Mr FERGUSON.

Après discussion et explications données par les Co-Secrétariats-rapporteurs, les participants ont reconnu que les travaux des deux Institutions pouvaient être parfaitement complémentaires.

— **Réglementations « régionales » :**

Certains États se sont inquiétés de savoir si les Réglementations de certaines Institutions multinationales régionales (Marché Commun par exemple) seraient modifiées pour être mises en accord avec la Recommandation de l'OIML, lorsque celle-ci sera sanctionnée.

Des assurances ont été données à ce sujet et le représentant de la CEE a décrit le processus d'« adaptation au progrès technique » des Directives du Marché Commun.

— **Philosophie d'une Recommandation de l'OIML :**

Les représentants du BIML ont rappelé qu'une Recommandation doit être élaborée dans un esprit large d'obtention de résultats, sans entrer dans des spécifications de construction qui sont du ressort de la normalisation, et qu'elle doit de cette manière permettre l'évolution des techniques.

Ils ont également rappelé que la décision de soumettre ou non une catégorie d'instruments aux contrôles légaux reste du ressort de chaque État, de même que le choix de ces contrôles.

La réunion s'est poursuivie par l'étude technique de l'Avant-projet.

De nombreux points ont été améliorés de telle manière qu'ils puissent recevoir l'accord des participants.

Une longue discussion relative au chapitre traitant des dispositifs d'évacuation des gaz a conclu à la création d'un Groupe de Travail mixte ISO-OIML, qui doit se réunir en juin 1976, marquant ainsi la collaboration toujours plus étroite entre les deux Institutions.

Les associations régionales de constructeurs, comme le CECOD, pourraient participer en tant qu'observateurs à ce Groupe de travail.

Entrecoupant cette réunion, une journée de détente a conduit les participants à Bracknell, où la société DRESSER-WAYNE les invitait à visiter l'usine de fabrication et de contrôle de compteurs.

A l'issue d'un déjeuner amical, de vifs souhaits de bonne retraite ont été adressés à Mr MAUGEIN (France), l'un des principaux animateurs du Groupe FL.7.

BIBLIOGRAPHIE

Le BIML a le plaisir de signaler aux lecteurs du Bulletin la parution de deux ouvrages relatifs au PESAGE qui, par leur conception très dissemblable, peuvent constituer des sources d'informations très utiles pour les Services de Métrologie de certains de nos pays-membres, ainsi que pour tous les ingénieurs et techniciens s'occupant de ce domaine de la métrologie.

Ils ont tous deux été écrits par des spécialistes ayant une vaste expérience du sujet.

WEIGHING AND PROPORTIONING OF BULK SOLIDS

by Hendrik **COLIJN**
Consulting Engineer
Pittsburgh Pa - USA.

The book runs to 357 pages and includes two special appendices and a glossary of Terms and Definitions for the weighing industry. (United States Terminology).

The ten chapters of the work include a succinct History of Weighing, chapters on Fundamentals of Weighing, Mechanical Force Transmission, Load Sensing and Force measurement. Devices such as Weigh Hoppers and Automatic Batching Systems, Motor and Railroad scales, Track Scales, Belt Scales, Weigh feeders, Nuclear Scales, Mass Flow Reaction Devices and Proportioning Systems are given detailed attention and the whole is abundantly illustrated with numerous diagrams, charts and photographs of the equipment referred to.

In the author's own words, « The rapid growth of continuous and automatic weighing systems for bulk solids during the recent decades has left a void in the understanding of the design and application of this equipment by industrial operators... very little published information is available... ».

In this respect this work undoubtedly fills a very obvious gap.

By minimizing the discussion of specific types of commercially available weighing equipment and by emphasizing basic principles and design concept of weighing in general, the author has attempted to make the work acceptable for use in many countries.

This book should prove to be a valuable reference work for all concerned with this most important and developing field of measurement.

published by Trans Tech Publications SA
Order address : CH 4711 Aedermannsdorf, Switzerland

price : 150 Swiss Francs.

NOTIONS ÉLÉMENTAIRES
sur les
INSTRUMENTS DE PESAGE

par Jean **TRAMUS**
Ingénieur en Chef
Chef de la Section « Pesage »
Service des instruments de mesure
Paris, France.

Il s'agit du tirage ronéotypé (315 pages) des deux premières parties du « Cours de Pesage » enseigné par Mr TRAMUS aux Ingénieurs Élèves du Service Français des Instruments de Mesure.

La première partie « Mathématiques et Instruments de Pesage et Poids » constitue une explication par les mathématiques des principes de fonctionnement et de construction des instruments de pesage (Théorie des leviers — Tirage — Moments de stabilité...).

Cette première partie est complétée par une terminologie et un chapitre relatifs aux Poids étalons (en particulier leur étalonnage en série fermée).

La deuxième partie (Technologie) décrit quelques constructions de réalisation de divers instruments et de leurs dispositifs complémentaires.

Une troisième partie (Législation), rassemblant et expliquant les textes réglementaires français sur le pesage, sera publiée ultérieurement.

publié par

Élysées-copies
38, rue de Berri, 75001 PARIS-France.

Prix = 100 Francs-Français
+ frais d'envoi
(+ TVA pour les acheteurs français).

INFORMATIONS

NÉCROLOGIE

U.R.S.S.

C'est avec une grande tristesse que nous avons appris le décès, survenu en février dernier, de Monsieur le Professeur Docteur V.O. AROUTUNOV, Directeur de l'Institut de Recherches Scientifiques en Métrologie D.I. Mendéleev, à Léninegrad, URSS.

Cette disparition brutale d'un homme sympathique et d'une intelligence éminente frappe beaucoup ses amis.

Le Professeur Docteur AROUTUNOV était bien connu des Membres de l'Organisation Internationale de Métrologie Légale. Il avait assisté à plusieurs de nos réunions, notamment au Comité International de Métrologie Légale en 1964 où il était Chef de la Délégation Soviétique. Il continuait à participer avec ses collaborateurs à certains de nos Groupes de travail, « mesures de longueur à bouts plans » et « thermomètres électriques à résistance de métal », par exemple.

La Métrologie en URSS et dans le monde entier a perdu en Monsieur le Professeur Docteur AROUTUNOV un grand savant à l'esprit ouvert et universel et que ses amis n'oublieront pas.

RÉPUBLIQUE FÉDÉRALE D'ALLEMAGNE

Nous venons d'être avisés du décès de Monsieur le Professeur Docteur Ulrich STILLE, survenu le 7 mars dernier.

Bien connu de tous les métrologistes, le Docteur STILLE était entré en 1948 au Physikalisch-Technische Bundesanstalt dont il devint, en fin de carrière, le Président, de 1970 à 1975.

Entre temps, il occupa divers postes qui lui permirent de contribuer d'une manière importante à la reconstruction et au développement du P.T.B.

Par son efficacité, l'étendue de ses connaissances scientifiques, sa valeur en tant que professeur et la multiplicité de ses activités internationales, notamment comme Vice-Président du Comité International des Poids et Mesures, le Docteur STILLE avait mérité l'estime de tous et sa disparition ne laisse que des regrets.

SYMPOSIUM INTERNATIONAL de MÉTROLOGIE

Ce symposium qui doit avoir lieu à Bratislava (République Socialiste Tchèque), du 16 au 19 novembre 1976, est actuellement en préparation.

Il est envisagé qu'il comprenne 40 cours relevant du domaine de la métrologie scientifique et légale. Ceux-ci sont répartis en 5 sections :

- échange d'expérience relativement à l'introduction du Système International d'unités (SI),
- problèmes des étalons de diverses grandeurs,
- utilisation des méthodes statistiques lors de la vérification et de l'attestation des appareils mesureurs,
- rationalisation et automatisation des travaux métrologiques,
- unification de l'expression et méthodes de détermination de la précision des étalons, et seront traduits simultanément dans les langues officielles du Symposium : anglais, français, allemand et russe.

Toute correspondance doit être adressée à :

INSYMET'76

Dom techniky SVTS

Kocelova 15

881 30 BRATISLAVA (Rép. Socialiste Tchèque)

CENTRE de DOCUMENTATION

Documents reçus au cours du 1^{er} trimestre 1976

BUREAU INTERNATIONAL des POIDS et MESURES — BIPM

- Comité Consultatif pour la définition de la seconde
7^e Session, 9-11 Juillet 1974.

ORGANISATION INTERNATIONALE de NORMALISATION — ISO

- ISO Mémento, 1976
- ISO Catalogue, 1976
- ISO/TC 12 : Grandeurs, unités, symboles, facteurs de conversion et tables de conversion
ISO 31/XIII-1975 : Grandeurs et unités de la physique à l'état solide
- ISO/TC 28 : Produits pétroliers
ISO 3733-1976 : Produits pétroliers et produits bitumeux — Détermination de la teneur en eau — Méthode par distillation

COMMISSION des COMMUNAUTÉS EUROPÉENNES — CEE

- Journal Officiel des Communautés Européennes, n° L183 du 14-7-1975
Directive 75/410/CEE du 24-6-1975 concernant le rapprochement des législations des États membres relatives aux instruments de pesage totalisateurs continus

REP. d'AFRIQUE du SUD

- South African Bureau of Standards
M36 (1) : The use of the SI in secondary education — Geography, 1976
(2) : The use of the SI in secondary education — Mathematics, 1976

REP. FED. d'ALLEMAGNE

- Physikalisch-Technischen Bundesanstalt
Geschäftsordnung der Vollversammlung der PTB (GO-VV), vom 1-6-1975 (PTB-Mitteilungen, n° 4/1975).

ÉTATS-UNIS d'AMÉRIQUE

- National Bureau of Standards
NBS Special Publication 437 : National Bureau of Standards Annual Report FY 1975 (Dec. 1975)

AUSTRALIE

— National Standards Commission

Letter 4/1/8/1/3 dated 11 February 1976 relating to training facilities in the various Australian States, with a number of documents

AUTRICHE

— Bundesamt für Eich- und Vermessungswesen

Amtsblatt für das Eichwesen, n° 5, 6, 7, 8/1975

Eichvorschriften für Eiersortiermaschinen : 1 Änderung, vom 9-7-1975

Eichvorschriften für Messkolben, vom 21-7-1975

BELGIQUE

— Ministère des Affaires Économiques

Arrêté Royal du 14 mars 1975 relatif à la définition et au mesurage de la masse à l'hectolitre CEE et de la masse à l'hectolitre des céréales

ÉTHIOPIE

— Ethiopian Standards Institution

Ethiopian Standards Catalogue, 1975

FRANCE

— Réglementation métrologique

Circulaire du 4-4-1975 : Ventes directes aux consommateurs réglementées par le décret n° 74-429 du 15-5-1974

Loi n° 75-604 du 10-7-1975 : Produits cosmétiques et produits d'hygiène corporelle (conditionnement)

Loi n° 75-633 du 15-7-1975 : Élimination des déchets et récupération des matériaux

Arrêté du 8-9-1975 : Construction, installation et vérification des jaugers

Décret n° 75-906 du 16-9-1975 réglementant la catégorie d'instruments de mesure : mesures de longueur

Arrêtés du 22-9-1975 relatifs aux poids nets de :

fruits, légumes et poissons surgelés,

filets de harengs saurs au naturel et filets de morue préemballés en vue de la vente au détail

Décret n° 75-1200 du 4-12-1975 modifiant le Décret n° 61-501 du 3-5-1961, modifié par le Décret n° 66-16 du 5-1-1966, relatif aux unités de mesure et au contrôle des instruments de mesure

Décret n° 75-1201 du 4-12-1975 réglementant la catégorie d'instruments de mesure : instruments de pesage à fonctionnement non automatique et instruments de pesage indiquant le prix

Décret n° 75-1202 du 11-12-1975 réglementant la catégorie d'instruments de mesure : instruments de pesage totalisateurs continus sur transporteur à bande

- Commissariat à l'Énergie Atomique
Note CEA-N-1835 (October 1975) : Matériel électronique nucléaire pour tableau de commande et de contrôle. Guide de procédures pour les essais sur le site de l'instrumentation des réacteurs nucléaires
- Association Française de Normalisation
Catalogue des Normes Françaises 1976
- Ouvrages
Notions élémentaires sur les instruments de pesage, par J. Tramus
(Éditions Élysées-Copies, 1975)
Mesurages des volumes des carburants et combustibles liquides, par A. Defix
(Éditions Technip, 1975)

ROYAUME UNI de GRANDE-BRETAGNE et d'IRLANDE du NORD

- Department of Prices and Consumer Protection
OIML International Recommendation N° 21 : Taximeters
(Official translation into English)
OIML International Recommendation N° 23 : Tyre pressure gauges for motor vehicles (Official translation into English)
Statutory Instruments 1976 n° 111 : Weights and Measures. The Weights and Measures Act 1963 (Biscuits and Shortbread) Order 1976

JAPON

- Traduction en Japonais du « Vocabulaire de métrologie légale — Termes fondamentaux » (1975)
- Japon Measuring Instruments Federation
Japanese measuring instruments, 1974

MAROC

- Division de la Métrologie Légale
Arrêté du 12-11-1974 portant règlement du concours pour l'accès au grade des Adjoints-Techniques spécialisés de la métrologie légale
Arrêté du 12-11-1974 portant règlement du concours pour l'accès au grade des Adjoints-Techniques de la métrologie légale

NOUVELLE-ZÉLANDE

- Government House
Amendment n° 7 : S.R. 1976/7 : The wage adjustment regulations 1974

PAYS-BAS

— Dienst van het Ljkwesen in Nederland

Manuels utilisés pour la formation des techniciens (fonctionnaires chargés des vérifications et contrôles métrologiques courants) du Service de la Métrologie des Pays-Bas. — Déc. 1975 (13 Fascicules en langue néerlandaise)

POLOGNE

— Polski Komitet Normalizacji i Miar

Dziennik Normalizacji i Miar
Nr 16 à 23/1975

Katalog Polskich Norm 1975 + branżowych 1974

SRI LANKA

— National Metric Conversion Authority

Sri Lanka and the metric system of measurement (1975)

SUÈDE

— Statens Provnibusanstalt

Föreskrift och Anvisning

SP-FÖR 1973 : 20 Add : Anvisning om plombering av genomströmnings
mätare med två mätorgan

SP-FÖR 1973 : 28 : Övergångsföreskrifter för mätdon

SP-FÖR 1975 : 1 : Föreskrift beträffande arbetsordning inom legal me-
trologi

URSS

— Gosudarstvennyj Komitet Standartov Soveta Ministrov SSSR

60 Gosts intéressant la métrologie.

PROCHAINES RÉUNIONS

Groupes de travail	Pays Secrétariats	Dates	Lieux
SR-FI 12 + 13 : Mesurage et moyens de contrôle des hydrocarbures dans les pipe-lines	Tchécoslovaquie	21-25 juin 1976	Prague
SP.7-Sr 5 : Instruments de pesage à fonctionnement automatique	Royaume-Uni	7-9 septembre 1976	Londres
SP.12-Sr 8 : Compteurs de chaleur	R.F. Allemagne	1-3 septembre 1976	PTB-Berlin
SP.25 : Pays en voie de développement	B.I.M.L.	13-15 octobre 1976	B.I.M.L.
SP.21 : Normalisation des caractéristiques des moyens de mesurage	U.R.S.S.	novembre 1976	Tbilissi
SP.30 : Mesures Physico-chimiques	U.R.S.S.	novembre 1976	Tbilissi
Groupe de travail mixte ISO/OIML « dispositifs d'évacuation des gaz »	ISO/OIML	9-10 juin 1976 et éventuellement : 11 juin 1976	B.I.M.L.
CINQUIÈME CONFÉRENCE INTERNATIONALE DE MÉTROLOGIE LÉGALE		6-12 octobre 1976	Paris
QUINZIÈME RÉUNION DU COMITÉ INTERNATIONAL DE MÉTROLOGIE LÉGALE		5-12 octobre 1976	Paris

RECOMMANDATIONS INTERNATIONALES

de la

CONFÉRENCE INTERNATIONALE DE MÉTROLOGIE LÉGALE

No	SECRETARIATS	Année d'édition
— Vocabulaire de métrologie légale (termes fondamentaux)	Pologne	— 1969
— Premier Addenda au Vocabulaire de métrologie légale	Pologne	— 1973
1 — Poids cylindriques de 1 gramme à 10 kilogrammes (de la classe de précision moyenne)	Belgique	— 1973
2 — Poids parallélépipédiques de 5 à 50 kilogrammes (de la classe de précision moyenne)	Belgique	— 1973
3 — Réglementation métrologique des instruments de pesage à fonctionnement non automatique et Commentaires relatifs à la détermination des erreurs des instruments de pesage à indication discontinue	R.F. d'Allemagne et France	— 1970
4 — Fioles jaugées à un trait	Royaume-Uni	— 1970
5 — Compteurs de volume de liquides (autres que l'eau) à chambres mesureuses	R.F. d'Allemagne et France	— 1970
6 — Compteurs de volume de gaz Prescriptions générales	Pays-Bas et R.F. d'Allemagne	— 1970
7 — Thermomètres médicaux à mercure, en verre, avec dispositif à maximum	R.F. d'Allemagne	— 1970
8 — Méthode étalon de travail destinée à la vérification des instruments de mesurage du degré d'humidité des grains	R.F. d'Allemagne	— 1970
9 — Vérification et étalonnage des blocs de référence de dureté Brinell	Autriche	— 1970
10 — de dureté Vickers		
11 — de dureté Rockwell B		
12 — de dureté Rockwell C		
13 — Symbole de correspondance	B.I.M.L.	— 1970
14 — Saccharimètres polarimétriques	R.F. d'Allemagne	— 1974

Ces Recommandations peuvent être acquises au Bureau International de Métrologie Légale.

15 — Instruments de mesure de la masse à l'hectolitre des céréales	R.F. d'Allemagne	— 1970
16 — Manomètres des instruments de mesure de la tension artérielle	Autriche	— 1970
17 — Manomètres - manovacuumètres - vacuumètres « indicateurs » à éléments récepteurs élastiques à indications directes par aiguille et échelle graduée (catégorie appareils de travail)	U.R.S.S.	— 1970
18 — Pyromètres optiques à filament disparaissant	U.R.S.S.	— 1970
19 — Manomètres - manovacuumètres - vacuumètres « enregistreurs » à éléments récepteurs élastiques à enregistrements directs par style et diagramme (catégorie appareils de travail)	U.R.S.S.	— 1970
20 — Poids des classes de précision E_1 E_2 F_1 F_2 M_1 de 50 kg à 1 mg	Belgique	— 1973
21 — Taximètres	R.F. d'Allemagne	— 1973
22 — Alcoométrie — Tables alcoométriques	France France	— 1973 — 1975
23 — Manomètres pour pneumatiques	U.R.S.S.	— 1973
24 — Mètre rigide pour Agents de vérification	Inde	— 1973
25 — Poids étalons pour Agents de vérification	Inde	— 1973
26 — Seringues médicales	Autriche	— 1973
27 — Compteurs de volume de liquides autres que l'eau — Dispositifs complémentaires	R.F. d'Allemagne + France	— 1973
28 — Réglementation « technique » des instruments de pesage à fonctionnement non-automatique	R.F. d'Allemagne + France	— 1973
29 — Mesures de capacité de service	Suisse	— 1973
30 — Mesures de longueur à bouts plans	U.R.S.S.	— 1973
31 — Compteurs de volume de gaz à parois déformables	Pays-Bas	— 1973
32 — Compteurs de volume de gaz à pistons rotatifs et compteurs de volume de gaz à turbine	R.F. d'Allemagne	— 1973
33 — Valeur conventionnelle du résultat des pesées dans l'air	B.I.M.L.	— 1973
34 — Classes de précision des instruments de mesurage	U.R.S.S.	— 1974

RECOMMANDATIONS ADOPTÉES
 par le Comité International de Métrologie Légale
 (à sanctionner par la Conférence Internationale de Métrologie Légale)

	Secrétariats	Année d'édition
CIML. 1973 — N° 1 : Mesures matérialisées de longueur pour usages généraux	Belgique + Hongrie	— 1974
CIML. 1973 — N° 2 : Vérification des pénétrateurs des machines d'essai de dureté	Autriche	— 1974
CIML. 1973 — N° 3 : Vérification des machines d'essai de dureté système Brinell	Autriche	— 1974
CIML. 1973 — N° 4 : Vérification des machines d'essai de dureté système Vickers	Autriche	— 1974
CIML. 1973 — N° 5 : Vérification des machines d'essai de dureté système Rockwell B, F, T — C, A, N	Autriche	— 1974
CIML. 1973 — N° 6 : Pipettes étalons pour Agents de vérification	Inde	— 1974
CIML. 1973 — N° 7 : Burettes étalons pour Agents de vérification	Inde	— 1974
CIML. 1973 — N° 8 : Thermomètres électriques à résistance de platine, cuivre, nickel	U.R.S.S.	— 1974
CIML. 1975 — N° 9 : Poinçons de métal pour Agents de vérification	Inde	— 1975
CIML. 1975 — N° 10 : Fioles étalons graduées pour Agents de vérification	Inde	— 1975
CIML. 1975 — N° 11 : Alcoomètres et aréomètres pour alcool	France	— 1975

DOCUMENTS INTERNATIONAUX ADOPTÉS

par le
 Comité International de Métrologie Légale

D.I. N° 1 — Loi de métrologie	BIML	— 1975
-------------------------------	-------------	--------

AUTRE DOCUMENT PUBLIÉ

par L'ORGANISATION INTERNATIONALE de MÉTROLOGIE LÉGALE :

les « TABLES ALCOOMÉTRIQUES INTERNATIONALES »

Ces tables, complément de la Recommandation Internationale OIML N° 22, donnent les principales relations entre les titres massique et volumique et la masse volumique d'un mélange d'eau et d'éthanol, en fonction de la température ; elles donnent également des indications précises sur la manière d'établir des tables pratiques.

Ce document, accompagné de la traduction en anglais de toute sa partie « texte », est en vente auprès du Bureau International de Métrologie Légale, au prix de 40 francs-français (port non compris).

ORGANISATION INTERNATIONALE DE MÉTROLOGIE LÉGALE

BUREAU INTERNATIONAL DE MÉTROLOGIE LÉGALE
11, RUE TURGOT — PARIS IX^e — FRANCE

ÉTATS MEMBRES DE L'ORGANISATION INTERNATIONALE DE MÉTROLOGIE LÉGALE

RÉPUBLIQUE FÉDÉRALE D'ALLEMAGNE.	INDONÉSIE.
RÉPUBLIQUE DÉMOCRATIQUE ALLEMANDE.	IRAN.
ÉTATS-UNIS D'AMÉRIQUE.	ISRAËL.
RÉPUBLIQUE ARABE D'ÉGYPTE.	ITALIE.
AUSTRALIE.	JAPON.
AUTRICHE.	LIBAN.
BELGIQUE.	MAROC.
BULGARIE.	MONACO.
CAMEROUN.	NORVÈGE.
CHYPRE.	PAKISTAN.
RÉP. DÉM. POPULAIRE DE CORÉE.	PAYS-BAS.
CUBA.	POLOGNE.
DANEMARK.	ROUMANIE.
RÉPUBLIQUE DOMINICAINE.	SRI LANKA.
ESPAGNE.	SUÈDE.
ÉTHIOPIE.	SUISSE.
FINLANDE.	TCHÉCOSLOVAQUIE.
FRANCE.	TUNISIE.
ROYAUME-UNI de GRANDE-BRETAGNE et d'IRLANDE du NORD.	U. R. S. S.
GUINÉE.	VÉNÉZUELA.
HONGRIE.	YOUgosLAVIE.
INDE.	

MEMBRES CORRESPONDANTS

Albanie - Botswana - Grèce - Irlande - Jamaïque - Jordanie - Luxembourg - Népal
Nouvelle-Zélande - Panama - Philippines - Turquie
Arab Organization for Standardization and Metrology

ORGANISATION INTERNATIONALE DE MÉTROLOGIE LÉGALE

BUREAU INTERNATIONAL DE MÉTROLOGIE LÉGALE
11, RUE TURGOT — PARIS IX^e — FRANCE

MEMBRES du COMITÉ INTERNATIONAL de MÉTROLOGIE LÉGALE

RÉPUBLIQUE FÉDÉRALE D'ALLEMAGNE.

Mr W. MÜHE,
Chef des Bureaux Technico-Scientifiques,
Physikalisch-Technische Bundesanstalt,
Bundesallee 100 — 33 BRAUNSCHWEIG.

REPUBLIQUE DEMOCRATIQUE ALLEMANDE.

Mr H.W. LIERS, Directeur de la Métrologie Légale,
Amt für Standardisierung, Messwesen und Warenprüfung,
Hauptabteilung Gesetzliche Metrologie,
Wallstrasse 16 — 1026 BERLIN.

ÉTATS-UNIS D'AMÉRIQUE.

Mr W.E. ANDRUS, Jr
Chief-Office of International Standards
U.S. Department of Commerce
National Bureau of Standards — WASHINGTON, D.C. 20234.

RÉPUBLIQUE ARABE D'ÉGYPTE.

Mr F.A. SOBHY,
Président, Egyptian Organization for standardization,
2 Latin America Street, Garden City — CAIRO.

AUSTRALIE.

Mr T.J. CARMODY,
Executive Officer, National Standards Commission,
P.O. Box 282
NORTH RYDE, SYDNEY N.S.W. 2113.

AUTRICHE.

Mr F. ROTTER,
Chef de la Section de métrologie légale,
Bundesamt für Eich- und Vermessungswesen,
16, Aritgasse 35 — 1163 — WIEN.

BELGIQUE.

Madame M.L. HENRION, Ingénieur en Chef,
Directeur du Service Belge de la Métrologie,
24/26 rue J.A. De Mot — B-1040 BRUXELLES.

BULGARIE.

Mr P. ZLATAREV
Vice-Président, Comité d'État de Normalisation
auprès du Conseil des Ministres de la République Populaire de BULGARIE
P.O. Box 11 — 1000 SOFIA.

CAMEROUN.

Mr B. DZEUKOU,
Boîte postale 493 — DOUALA.

CHYPRE.

Mr S. PHYLAKTIS.
Senior Officer, Research and Industrial Development
Ministry of Commerce and Industry,
NICOSIA.

RÉP. DÉM. POPULAIRE DE CORÉE.

Mr CHOI HYONG SON.
Director, Central Metrological Institute,
Metrological Committee
Academy of Sciences of the D.P. Rep. of Korea,
SOSONG KUYOK — PJONGYANG.

CUBA.

Mr M.A. MIRANDA GONZALEZ.
Directeur du Centre de Recherches Métrologiques,
Instituto Cubano de Normalizacion Metrologia y Control de la Calidad
Reina 408 — La HABANA.

DANEMARK.

Mr F. NIELSEN.
Ingénieur en Chef, Justertvaesenet,
Amager Boulevard 115 — DK - 2300 KØBENHAVN S.

RÉPUBLIQUE DOMINICAINE.

en suspens...

ESPAGNE.

Mr R. RIVAS.
Vocal-Secretario Comision nacional de Metrologia y Metrotecnica,
3 calle del General Ibañez Ibero — MADRID-3.

ÉTHIOPIE.

Mr NEGUSSIE ABEBE.
Métrologiste, Ethiopian Standards Institution,
P.O. Box 2310 — ADDIS ABABA.

FINLANDE.

Mr L. LAITINEN.
Directeur, Vakaustoimisto,
Mariank, 14 — SF. 00171 HELSINKI 17.

FRANCE.

Mr Ch. GOLDNER.
Chef du Service des Instruments de mesure,
Ministère de l'Industrie et de la Recherche
2, rue Jules-César — 75012 PARIS

ROYAUME UNI de GRANDE-BRETAGNE et d'IRLANDE du NORD.

Mr J.D. PLATT.
Head of Measurement Services Branch,
Department of Prices and Consumer Protection
26, Chapter Street-LONDON-SW1P 4NS.

GUINÉE.

Mr CONDE BABA.
Chef du Service de métrologie au Secrétariat d'État au Commerce intérieur,
Ministère d'État chargé des Affaires extérieures,
(Division des Organismes internationaux) — CONAKRY.

HONGRIE.

Mr I. KISS.
Vice-Président, Országos Mérésügyi Hivatal,
Németvölgyi-út 37/39 — BUDAPEST XII.

INDE.

Mr S.V. GUPTA.
Director, Weights and Measures,
Department of Civil Supplies et Cooperations, Ministry of Industry and Civil Supplies,
Shastry Bhavan, Room n° 310, A. Wing — NEW-DELHI 2.

INDONÉSIE.

Mr SOEHARDJO PARTOATMODJO.
Chef du Service de la métrologie,
Departemen Perdagangan,
Direktorat Metrologi - Standardisasi & Normalisasi,
Djalan Pasteur 6 — BANDUNG.

IRAN.

Mr Mohssen SOUROUDI
Directeur Général, Institute of Standards and Industrial Research,
Ministry of Industries and Mines
P.O. Box 2937 — TEHERAN.

ISRAËL.

Mr S. ZEEVI.
Advisor, Weights and Measures Service
Ministry of Commerce and Industry,
Palace Building — JERUSALEM.

ITALIE.

Mr C. AMODEO.
Capo dell'Ufficio Centrale Metrico,
Via Antonio Bosio, 15 — 00161 — ROMA.

JAPON.

Mr Y. SAKURAI.
Directeur, National Research Laboratory of Metrology,
10-4, 1-Chome, Kaga, Itabashi-ku — TOKYO.

LIBAN.

M. M. HEDARI.
Chef du Service des Poids et Mesures,
Ministère de l'Économie Nationale,
Rue Alfred Naccache — Ras-Beyrouth/BEYROUTH.

MAROC.

Mr M. BENKIRANE.
Chef de la Division de la Métrologie Légale,
Direction du Commerce Intérieur,
Ministère du Commerce, de l'Industrie, des Mines et de la Marine marchande,
RABAT.

MONACO

Mr A. VATRICAN.
Chargé de Recherches au Centre Scientifique de Monaco,
16, Boulevard de Suisse — (MC) MONTE CARLO.

NORVÈGE.

Mr K. BIRKELAND.
Directeur, Justerdirektoratet,
Postbox 6832 ST. Olavs Plass — OSLO 1.

PAKISTAN.

Mr Abdul QAIYUM.
O.S.D./Deputy Secretary (Metric Cell)
Ministry of Industries — Block n° 2 — Room n° 44.
ISLAMABAD.

PAYS-BAS.

Mr A.J. van MALE.
Directeur en Chef, Dienst van het Jkwezen, Hoofddirectie,
Eisenhowerlaan 140—'s-GRAVENHAGE.

POLOGNE

Mr J. MACHOWSKI.
Vice-Président, Polski Komitet Normalizacji i Miar,
ul. Elektoralna 2 — 00-139 WARSZAWA.

ROUMANIE.

Mr I. ISCRULESCU.
Directeur, Institutul National de Metrologie,
Sos. Vitan-Birzesti nr. 11, sector 5 — BUCAREST.

REPUBLIQUE DU SRI LANKA.

Mr H.L.K. GOONETILLEKE.
Deputy Warden of the Standards,
Price Control Department, Weights and Measures Division,
Park Road — COLOMBO 5.

SUÈDE.

Mr O. NORELL.
Directeur, Statens Provningsanstalt,
BOX 5608 — S. 114 86 STOCKHOLM 5.

SUISSE.

Mr A. PERLSTAIN.
Directeur, Bureau Fédéral des Poids et Mesures,
Lindenweg 50 — 3084 WABERN/BE.

TCHÉCOSLOVAQUIE.

Mr M. KOCIÁN.
Vice-Président, Úrad pro normalizaci a mereni,
Václavské náměstí c.19 — 113 47 PRAHA 1 — NOVÉ MĚSTO.

TUNISIE.

Mr Abdelhamid MILADI.
Chef, Division du Contrôle Économique — Direction du Commerce,
Ministère de l'Économie Nationale, rue El Jazira — TUNIS.

U.R.S.S

Mr V. ERMAKOV.
Chef du Service de métrologie,
Komitet Standartov, Mer & Izmeritel'nyh Priborov,
38 Kvartal Jugo-Zapada, Korpus 189-a — MOSKVA V-421.

VENEZUELA.

Mr R. de COLUBI CHANEZ.
Métrologiste en Chef, Servicio Nacional de Metrología Legal,
Ministerio de Fomento,
Av. Javier Ustariz, Edif. Parque Residencial — Urb. San Bernardino/CARACAS.

YOUgoslavIE.

Mr S. SPIRIDONOVIC.
Directeur Adjoint, Savezni zavod za mere i dragocene metale,
Mike Alasa 14-Post, fah 746 — BEOGRAD.

PRÉSIDENTENCE.

Président Mr A.J. van MALE, Pays-Bas
1^{er} Vice-Président Mr V. ERMAKOV, U.R.S.S.
2^e Vice-Président Mr W.E. ANDRUS, Jr, U.S.A.

CONSEIL DE LA PRÉSIDENTENCE.

Messieurs : A.J. van MALE, Pays-Bas, Président.
V. ERMAKOV, U.R.S.S., V/Président — W.E. ANDRUS, Jr, U.S.A., V/Président
J.D. PLATT, Royaume-Uni W. MÜHE, Rép. Féd. Allemagne
Ch. GOLDNER, France A. PERLSTAIN, Suisse
le Directeur du Bureau international de métrologie légale.

BUREAU INTERNATIONAL DE MÉTROLOGIE LÉGALE.

Directeur Mr B. ATHANÉ
Adjoint au Directeur Mr E.W. ALLWRIGHT
Adjoint au Directeur Mr Z. REFEROWSKI
Ingénieur Mr B. AFEICHE.
Adjoint administrateur M^{me} M-L. HOUDOUIN

MEMBRES D'HONNEUR.

Messieurs :

† Z. RAUSZER, Pologne — premier Président du Comité provisoire
A. DOLIMIER, France
† C. KARGACIN, Yougoslavie } - Membres du Comité provisoire
N.P. NIELSEN, Danemark }
M. JACOB, Belgique — Président du Comité
J. STULLA-GÖTZ, Autriche — Président du Comité
G.D. BOURDOUN, U.R.S.S. — Vice-Président du Comité
† R. VIEWEG, Rép. Féd. d'Allemagne — Membre du Conseil de la Présidence
† J. OBALSKI, Pologne
H. KÖNIG, Suisse — Vice-Président du Comité
H. MOSER, Rép. Féd. d'Allemagne — Membre du Conseil de la Présidence
P. VIAUD, France — Membre du Conseil de la Présidence.
J.A. de ARTIGAS, Espagne — Membre du Comité.
M.D.V. COSTAMAGNA — Premier Directeur du Bureau.
† V.B. MAINKAR, Inde — Membre du Conseil de la Présidence.
P. HONTI, Hongrie — Vice-Président du Comité.

N° d'inscription à la commission paritaire des papiers de presse : 38245

Grande Imprimerie de Troyes - 2^e trimestre 1976 - Dépôt légal n° 5129

